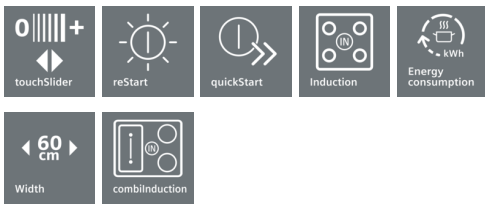
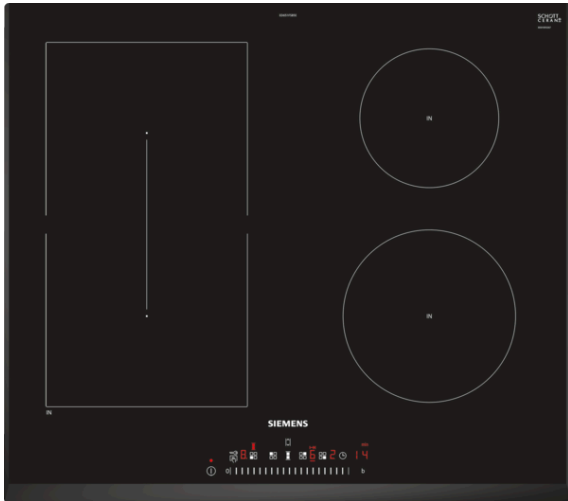


**iQ500, Induction hob, 60 cm,
ED651FSB5E**

 **BUY NOW**



The modern CombiInduction cooktop - for more cooking possibilities

- ✓ The touchSlider allows the hob temperature to be controlled by entering it directly or by moving the slider with a single finger.
- ✓ Shorter heating times with up to 50% more power thanks to the powerBoost function.
- ✓ Timer with cooking zone shut-off function
- ✓ Innovative induction technology is one of the quickest, safest and most efficient methods of cooking.

Features

Technical Data
 Product name/family : Cooking zone ceramic
 Construction type : Built-in
 Energy input : Electric
 Total number of positions that can be used at the same time : 4
 Required niche size for installation (HxWxD) : 51 x 560-560 x 490-500
 Width of the product (mm) : 592
 Dimensions of the product (mm) : 51 x 592 x 522
 Dimensions of the packed product (HxWxD) (mm) : 126 x 753 x 608
 Net weight (kg) : 11.921
 Gross weight (kg) : 13.2
 Residual heat indicator : Separate
 Location of control panel : Hob front
 Basic surface material : Ceramic
 Color of surface : Black
 Approval certificates : AENOR, CE
 Length of electrical supply cord (cm) : 110
 EAN code : 4242003827987
 Electrical connection rating (W) : 6900
 Voltage (V) : 220-240
 Frequency (Hz) : 50; 60

Optional accessories

HZ9SE030 Set of 2 pots and 1 pan



iQ500, Induction hob, 60 cm, ED651FSB5E

Features

Design

- 592 mm
- 3 sided bevelled frameless finish
- touchSlider control

Special features

- combiZone
- 2-steps, powerMove
- 4 induction cooking zones
- quickStart function
- reStart function
- Timer for all zones Acoustic signal
- 17 power levels
- Power boost setting
- Energy Consumption Display

Safety Features

- Automatic pan recognition Automatic safety switch off Control panel lock Control panel pause
- 2 stage residual heat indicators
- Main on/off switch

Power and size:

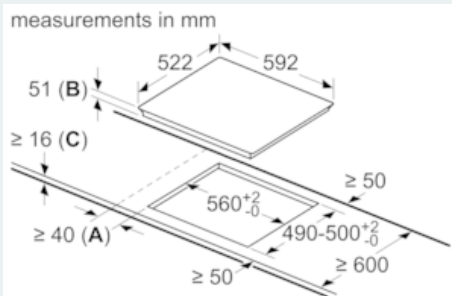
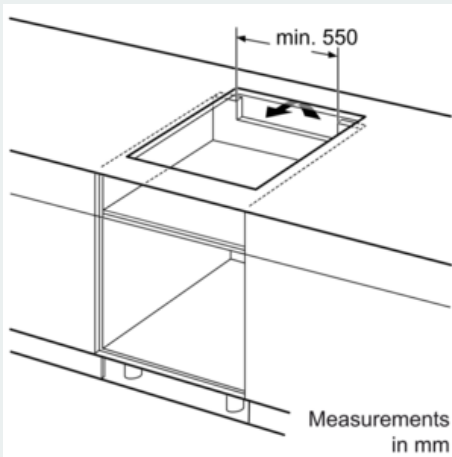
- Cooking zones: 1 380 mm x210 mm, #3.6 KW Induction or 2 x 190 mm, 210 mm, #2.2 KW (max. power#3.7 KW) Induction; 1 x Ø#45 mm, 1.4 KW (max. power#2.2 KW) Induction; 1 x Ø#80 mm, #.8 KW (max. power#1.1 KW) Induction

Technical information

- Installation measurements: 560 mmx490 mm
- Min. worktop thickness: 16 mm
- Connected load: 6.9 KW
- Connection cable 110 cm
- Cable included in packaging

iQ500, Induction hob, 60 cm, ED651FSB5E

Dimensioned drawings



- A: Minimum distance from the hob cut-out to the wall.
- B: Recessed depth
- C: With fitted oven underneath min. 30, possibly more; see space requirements for the oven.

