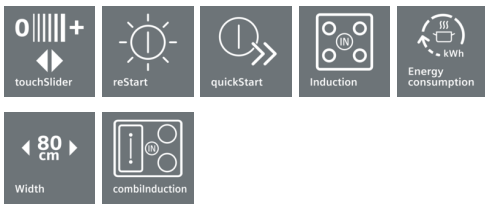


iQ500, Induction hob, 80 cm, ED851FWB5E



The modern CombiInduction cooktop - for more cooking possibilities

- ✓ The touchSlider allows the hob temperature to be controlled by entering it directly or by moving the slider with a single finger.
- ✓ Shorter heating times with up to 50% more power thanks to the powerBoost function.
- ✓ Timer with cooking zone shut-off function
- ✓ Innovative induction technology is one of the quickest, safest and most efficient methods of cooking.

Features

Technical Data

Product name/family : Cooking zone ceramic
 Construction type : Built-in
 Energy input : Electric
 Total number of positions that can be used at the same time : 5
 Required niche size for installation (HxWxD) : 51 x 750-750 x 490-500
 Width of the product (mm) : 802
 Dimensions of the product (mm) : 51 x 802 x 522
 Dimensions of the packed product (HxWxD) (mm) : 126 x 953 x 608
 Net weight (kg) : 15.546
 Gross weight (kg) : 16.5
 Residual heat indicator : Separate
 Location of control panel : Hob front
 Basic surface material : Ceramic
 Color of surface : Black
 Approval certificates : AENOR, CE
 Length of electrical supply cord (cm) : 110
 EAN code : 4242003828090
 Electrical connection rating (W) : 7400
 Voltage (V) : 220-240
 Frequency (Hz) : 60; 50

Optional accessories

HZ9SE030 Set of 2 pots and 1 pan



iQ500, Induction hob, 80 cm, ED851FWB5E

Features

Design

- 802 mm
- 3 sided bevelled frameless finish

Control:

- touchSlider control

Special features

- combiZone
- 2-steps, powerMove
- 5 induction cooking zones
- quickStart function
- reStart function
- Timer for all zones Acoustic signal
- 17 power levels
- Power boost setting
- Energy Consumption Display

Safety Features

- Automatic pan recognition Automatic safety switch off Control panel lock Control panel pause
- 2 stage residual heat indicators
- Main on/off switch

Power and size:

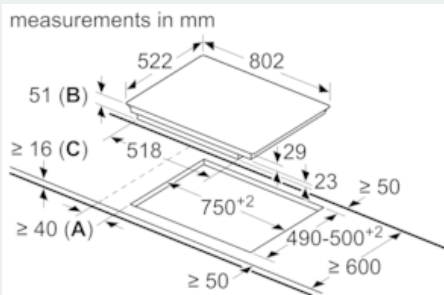
- Cooking zones: 1 x Ø 180 mm, 1.8 KW (max power 3.1 KW) Induction; 1 x Ø 145 mm, 1.4 KW (max power 2.2 KW) Induction; 1 x Ø 240 mm, 2.2 KW (max power 3.7 KW) Induction; 1 x 380 mm x 210 mm , 3.6 KW#Induction or 2 x 190 mm, 210 mm , 2.2 KW (max. power 3.7 KW) Induction;

Technical information

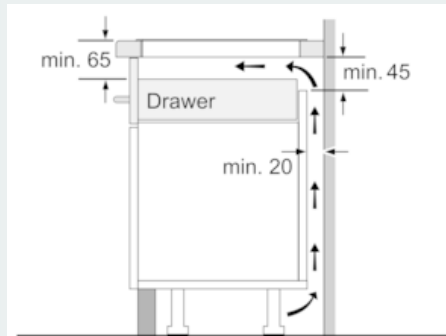
- Installation measurements: 750 mmx490 mm
- Min. worktop thickness: 16 mm
- Connected load: 7.4 KW
- Connection cable 110 cm
- Cable included in packaging

iQ500, Induction hob, 80 cm, ED851FWB5E

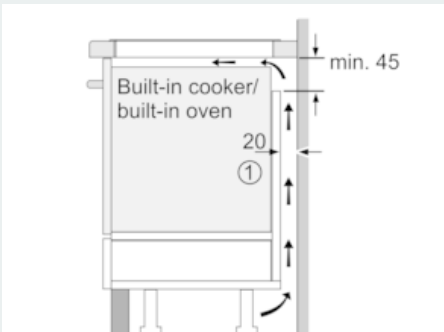
Dimensioned drawings



- A:** Minimum distance from the hob cut-out to the wall.
- B:** Recessed depth
- C:** With fitted oven underneath min. 30, possibly more; see space requirements for the oven.



Measurements in mm



- ① Ventilation gap must be present

All measurements in mm

