

## iQ700, Ceiling cooker hood, 120 cm, White LR29CQS25B



The studioLine ceiling hood takes performance to new heights, with its extremely high extraction rate and sleek design.

- ✓ The quiet high-performance motor: ensures efficient odour and steam removal.
- ✓ cookConnect system and climate control sensor: Perfect cooperation
- ✓ Home Connect: Access and control your hood, no matter where you are
- ✓ Calms the cooking process -#Extremely quiet
- ✓ For peak performance - Intensive setting with automatic revert

### Features

#### Technical Data

Approval certificates : CE, VDE  
 Length of electrical supply cord (cm) : 130  
 Required niche size for installation (HxWxD) : 299mm x 1188.0mm x 487mm  
 Minimum distance above an electric hob : 650  
 Minimum distance above a gas hob : 650  
 Net weight (kg) : 37.358  
 Type of control : Electronic  
 Number of speed settings : 3-stage + 2 intensive  
 Maximum output air extraction (m3/h) : 459  
 Boost position output recirculating (m3/h) : 637.0  
 Boost position air extraction (m³/h) : 933  
 Number of lights (Stck) : 1  
 Noise level (dB(A) re 1 pW) : 56  
 Diameter of air outlet (mm) : 150  
 EAN code : 4242003845202  
 Connection rating (W) : 250  
 Voltage (V) : 220-240  
 Frequency (Hz) : 50; 60  
 Plug type : GB plug  
 Installation type : Island



### Optional accessories

LZ31XXB16	Clean Air Plus odor filter (replacement)
LZ21JCC56	Clean Air Plus recirc. kit external inox
LZ21JCC26	Clean Air Plus recirc.kit external white
LZ20JCD50	Long Life recirc. kit external inox
LZ20JCD20	Long Life recirc. kit external white
LZ00XXP00	Long Life odor filter (replacement)

## iQ700, Ceiling cooker hood, 120 cm, White LR29CQS25B

### Features

#### Key performance features:

- Energy Efficiency Class: A (at a range of energy efficiency classes from A+++ to D)
- Extraction rate according to EN 61591 ø 15 cm: max. Normal use 458 m<sup>3</sup>/h Intensive 933 m<sup>3</sup>/h
- Noise max. Normal Level: Noise, max. speed in normal us: 56 dB dB\*

#### Home Connect: Remote Monitoring and Control

- Home Connect: Remote Monitoring and Control for connected home appliances and operation via smartphone or tablet (only in countries where Home Connect service is available)
- The Home Connect functionality can be extended by integrating numerous applications from external cooperation partners (partnerships)
- Voice Control enabled via popular voice assistants (only in countries where this service is available)
- Adjustable color temperature (2.700 K - 5.000 K) for adaption to the room lighting available via Home Connect
- Interval function: available via Home Connect
- Silence function: available via Home Connect

#### Features

- climateControl sensor
- cookConnect hob based hood control
- Fully automatic hood
- 3 power levels and 2 intensive settings
- Automatic intensive revert (6mins)
- softLight with dimmer function
- Interval operation
- Efficient BLDC motor
- Twin channel high performance fan motor
- Automatic after running (Automatic after running (10 minutes))
- Grease and charcoal filter saturation indicators
- 2 x metal grease filter cassettes
- Glass filter cover, Steel filter cover
- Black grease filter with stainless steel frame
- Infrared remote control
- Rim ventilation
- Easy to clean inner frame

#### Design

- White
- For ceiling mounted installation
- Rotatable motor: possible to position the air outlet on all four sides
- Electronic control

#### Performance/technical information

- Suitable for ducted and re-circulating operation
- For recirculated extraction a recirculating kit or a CleanAir recirculation kit (accessory) is needed
- Max. extraction rate: 933 m<sup>3</sup>/h
- Noise level according to EN 60704-3 and EN 60704-2-13 exhaust air: Max. normal use: 56 dB(A) re 1 pW Intensive: 70 dB(A) re 1 pW
- Power rating: 250 W
- Light Intensity: 534 lux
- Electrical cable length 1.3 m
- Diameter pipe Ø 150 mm (Ø 150 mm enclosed)
- Dimensions exhaust air (HxWxD): 315-315 x 1200 x 500 mm

- Dimensions recirculating, chimney (HxWxD): 315-315 x 1200 x 500 mm
- Blower Efficiency Class: A\*
- Lighting Efficiency Class: B\*
- Grease Filtering Efficiency Class: E\*
- Average Energy Consumption: 50.5 kWh/year\*

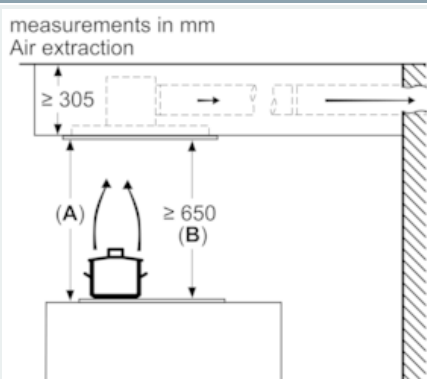
#### Optional accessories

- Recirculating kit HZG9AS00S

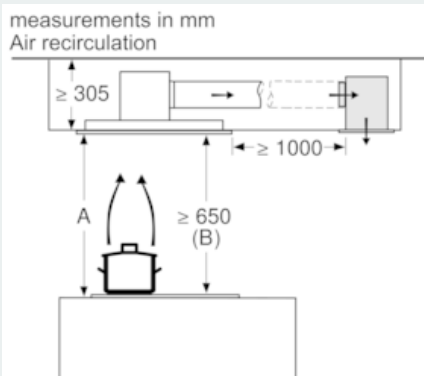
\* In accordance with the EU-Regulation No 65/2014

iQ700, Ceiling cooker hood, 120 cm,  
White  
LR29CQS25B

Dimensioned drawings



A: Optimum performance 700-1500  
B: From upper edge of pan support



A: Optimum performance 700-1500  
B: From upper edge of pan support