

iQ500, Ceiling cooker hood, 90 cm, Stainless steel LR97CAQ50B

 **BUY NOW**

A



The ceiling hood perfectly integrates into your kitchen to effectively remove grease and odours with its high extraction rate and sleek, modern design.

- ✓ The quiet high-performance motor: ensures efficient odour and steam removal.
- ✓ Home Connect: Access and control your hood, no matter where you are
- ✓ LED lights: For optimal visibility and ambience when cooking.
- ✓ Calms the cooking process -#Extremely quiet
- ✓ For peak performance - Intensive setting with automatic revert

Features

Technical Data

Approval certificates : CE, VDE
 Length of electrical supply cord (cm) : 130
 Required niche size for installation (HxWxD) : 299mm x 888.0mm x 487mm
 Minimum distance above an electric hob : 650
 Minimum distance above a gas hob : 650
 Net weight (kg) : 21.310
 Type of control : Electronic
 Number of speed settings : 3-stage + 2 intensive
 Maximum output air extraction (m3/h) : 459
 Boost position output recirculating (m3/h) : 565.0
 Boost position air extraction (m³/h) : 798
 Number of lights (Stck) : 4
 Noise level (dB(A) re 1 pW) : 56
 Diameter of air outlet (mm) : 150
 Grease filter material : Washable stainless steel
 EAN code : 4242003834022
 Connection rating (W) : 174
 Voltage (V) : 220-240
 Frequency (Hz) : 50; 60
 Plug type : GB plug
 Installation type : Island

Optional accessories

LZ31XXB16	Clean Air Plus odor filter (replacement)
LZ21JCC56	Clean Air Plus recirc. kit external inox
LZ21JCC26	Clean Air Plus recirc.kit external white
LZ20JCD50	Long Life recirc. kit external inox
LZ20JCD20	Long Life recirc. kit external white
LZ00XP00	Long Life odor filter (replacement)



iQ500, Ceiling cooker hood, 90 cm, Stainless steel LR97CAQ50B

Features

Key performance features:

- Energy Efficiency Class: A (at a range of energy efficiency classes from A+++ to D)
- Extraction rate according to EN 61591 ø 15 cm: max. Normal use 458 m³/h Intensive 798 m³/h
- Noise max. Normal Level: Noise, max. speed in normal us: 56 dB dB*

Home Connect: Remote Monitoring and Control

- Home Connect: Remote Monitoring and Control for connected home appliances and operation via smartphone or tablet (only in countries where Home Connect service is available)
- The Home Connect functionality can be extended by integrating numerous applications from external cooperation partners (partnerships)
- Voice Control enabled via popular voice assistants (only in countries where this service is available)
- Interval function: available via Home Connect
- Silence function: available via Home Connect

Features

- cookConnect hob based hood control
- 3 power levels and 2 intensive settings
- Automatic intensive revert (6mins)
- softLight with dimmer function
- 4 x 3W LED Lights
- Efficient BLDC motor
- Twin channel high performance fan motor
- Interval operation
- Automatic after running (Automatic after running (10 minutes))
- Grease and charcoal filter saturation indicators
- 2 x metal grease filter cassettes
- Steel filter cover, Steel filter cover
- Infrared remote control
- Rim ventilation
- Easy to clean inner frame

Design

- Stainless Steel
- For ceiling mounted installation
- Rotatable motor: possible to position the air outlet on all four sides
- Electronic control

Performance/technical information

- Suitable for ducted and re-circulating operation
- For recirculated extraction a recirculating kit or a CleanAir recirculation kit (accessory) is needed
- Max. extraction rate: 798 m³/h
- Noise level according to EN 60704-3 and EN 60704-2-13 exhaust air: Max. normal use: 56 dB(A) re 1 pW Intensive: 68 dB(A) re 1 pW
- Power rating: 174 W
- Light Intensity: 659 lux
- Colour Temperature: 3500 K
- Electrical cable length 1.3 m
- Diameter pipe Ø 150 mm (Ø 150 mm enclosed)
- Dimensions exhaust air (HxWxD): 300-300 x 900 x 500 mm
- Dimensions recirculating, chimney (HxWxD): 300-300 x 900 x 500 mm
- Blower Efficiency Class: A*

- Lighting Efficiency Class: A*
- Grease Filtering Efficiency Class: E*
- Average Energy Consumption: 34 kWh/year*

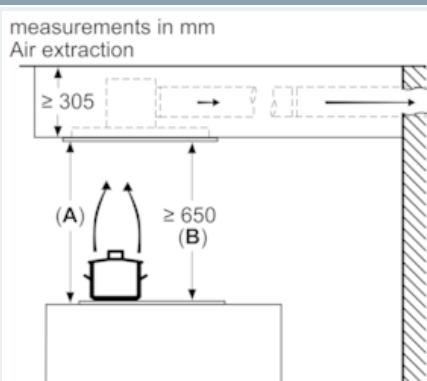
Optional accessories

- Recirculating kit LZ00XP00

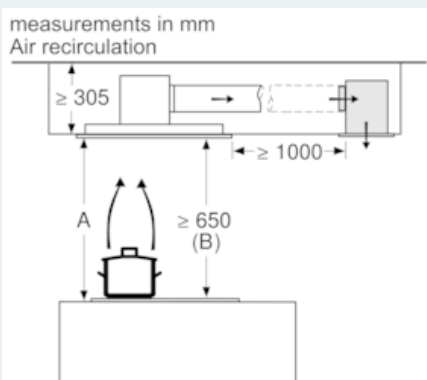
* In accordance with the EU-Regulation No 65/2014

iQ500, Ceiling cooker hood, 90 cm,
Stainless steel
LR97CAQ50B

Dimensioned drawings



A: Optimum performance 700-1500
B: From upper edge of pan support



A: Optimum performance 700-1500
B: From upper edge of pan support