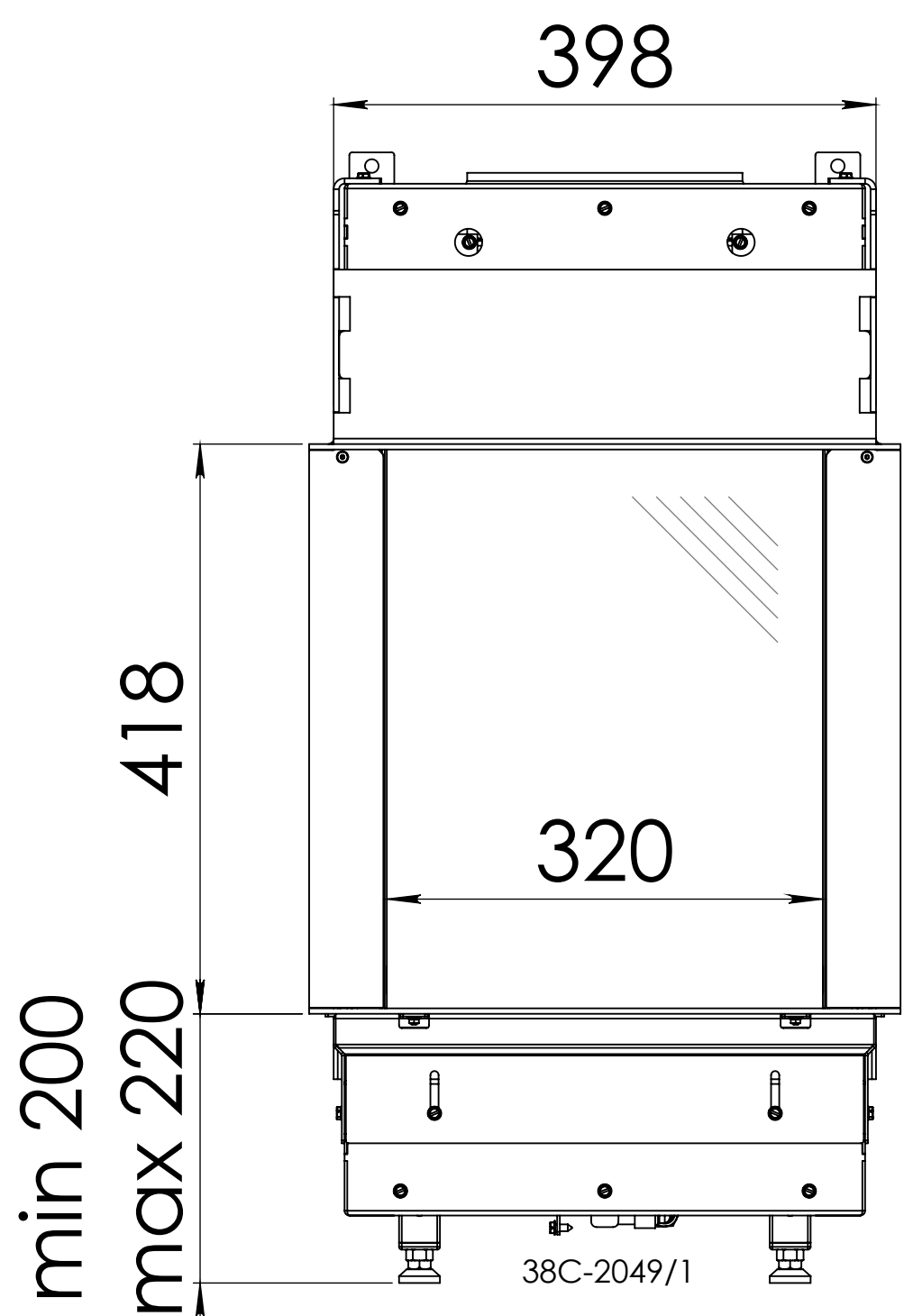
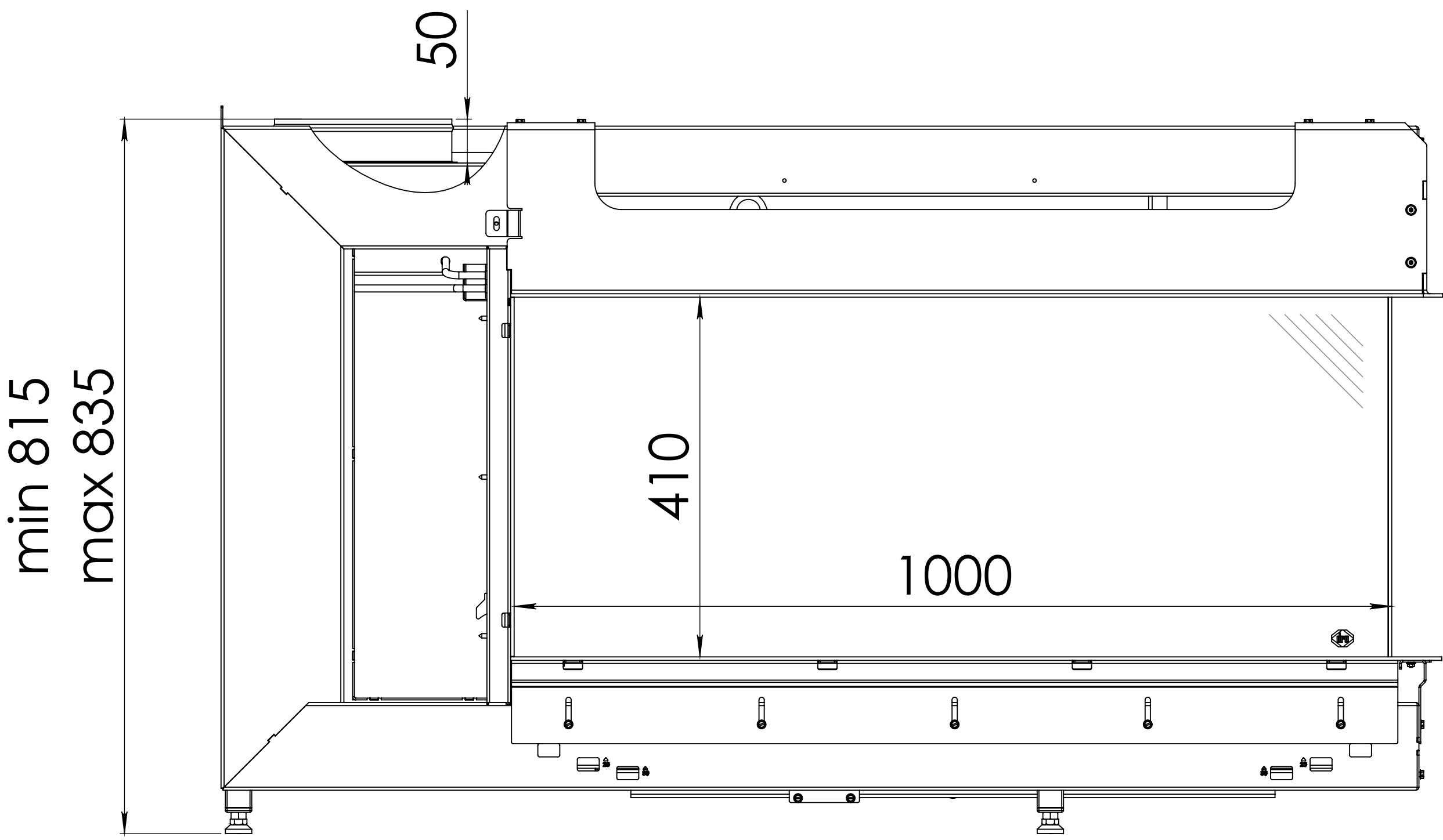
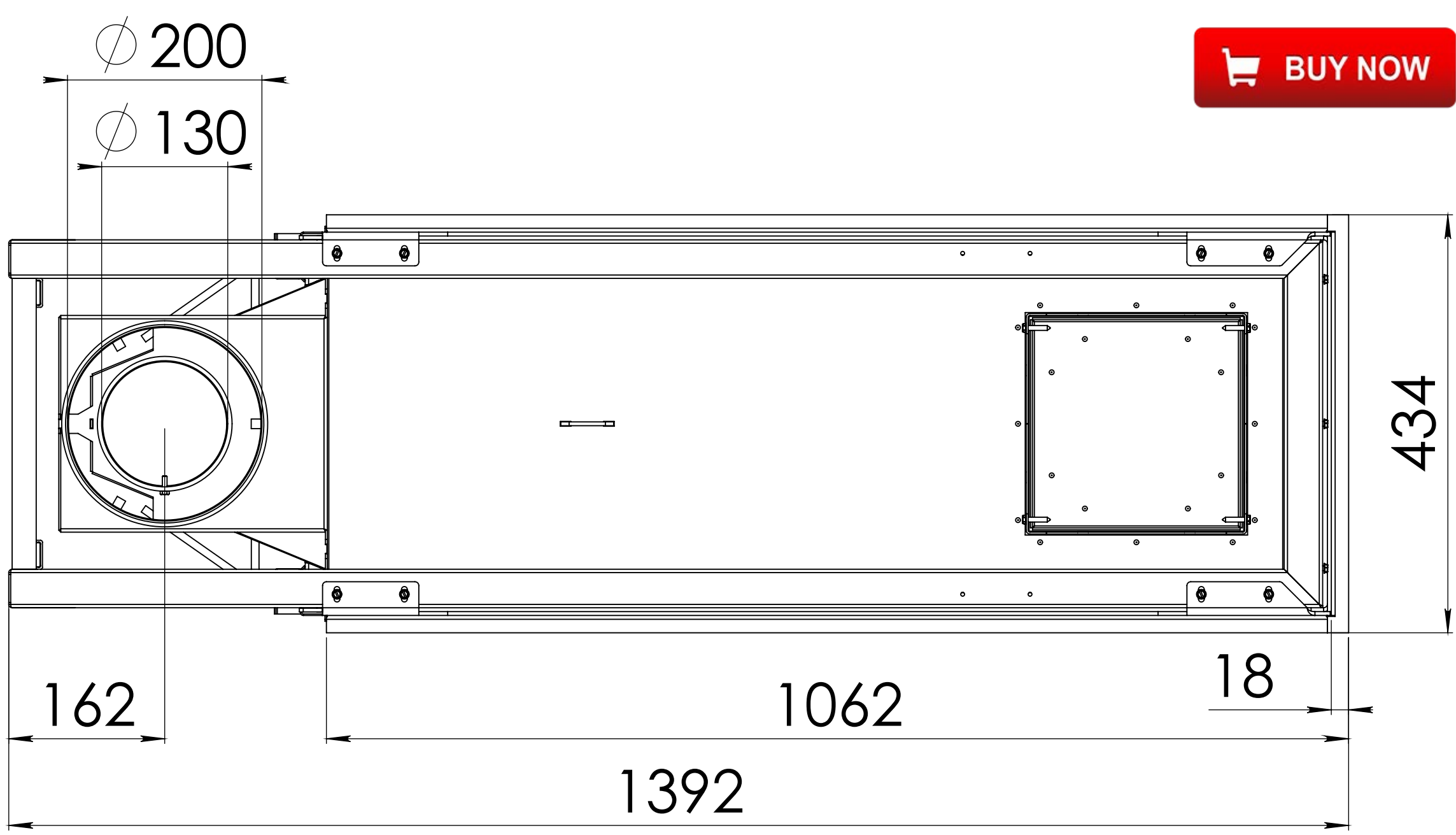


 BUY NOW



Metro 100 XTU RCH 41