



**BOSCH**



**Register** your  
new device on  
MyBosch now and  
get free benefits:  
**[bosch-home.com/  
welcome](https://bosch-home.com/welcome)**








# Ceiling ventilation







**[en]** Instructions for installation and use

Ceiling ventilation



# Table of contents

INSTRUCTION MANUAL .....	3
 Intended use .....	3
 Important safety information .....	4
 Environmental protection.....	6
 Operating mode.....	6
 Operating the appliance .....	7
 Connecting to a hob .....	10
 Home Connect.....	11

 Cleaning and maintenance.....	13
 Trouble shooting.....	16
 Customer service .....	16
INSTALLATION INSTRUCTIONS.....	17
 Important safety information .....	18
 General information .....	19
 Installation .....	20

## INSTRUCTION MANUAL

Additional information on products, accessories and services can be found at **bosch** and in the online shop **banyo.co.uk**

### Intended use

Read these instructions carefully. Only then will you be able to operate your appliance safely and correctly. Retain the instruction manual and installation instructions for future use or for subsequent owners.

The appliance can only be used safely if it is correctly installed according to the safety instructions. The installer is responsible for ensuring that the appliance works perfectly at its installation location.

This appliance is intended for domestic use and the household environment only. The appliance is not intended for use outside. Do not leave the appliance unattended during operation. The manufacturer is not liable for damage which is caused by improper use or incorrect operation.

This appliance is intended for use up to a maximum height of 2000 metres above sea level.

This appliance may be used by children over the age of 8 years old and by persons with reduced physical, sensory or mental capacity or by persons with a lack of experience or knowledge if they are supervised by someone who is responsible for their safety, or have been instructed in how to use the appliance safely and have understood the risks involved in not using it properly.

Children must not play with the appliance. Cleaning and user maintenance must not be performed by children unless they are over 15 years of age and are supervised.

Keep children below the age of 8 years old at a safe distance from the appliance and power cable.

Check the appliance for damage after unpacking it. Do not connect the appliance if it has been damaged in transport.

This appliance is not intended for operation with an external clock timer or a remote control.

## Important safety information

### Warning – Danger of suffocation!

Packaging material is dangerous to children. Never allow children to play with packaging material.

### Warning – Risk of fire!

- Fatty deposits in the grease filter may catch fire. Regularly clean the grease filter. Never operate the appliance without a grease filter.
- Grease deposits in the grease filter may catch fire. Never work with naked flames close to the appliance (e.g. flambéing). Do not install the appliance near a heat-producing appliance for solid fuel (e.g. wood or coal) unless a closed, non-removable cover is available. There must be no flying sparks.
- Hot oil and fat can ignite very quickly. Never leave hot fat or oil unattended. Never use water to put out burning oil or fat. Switch off the hotplate. Extinguish flames carefully using a lid, fire blanket or something similar.
- When gas burners are in operation without any cookware placed on them, they can build up a lot of heat. A ventilation appliance installed above the cooker may become damaged or catch fire. Only operate the gas burners with cookware on them.
- Operating several gas burners at the same time gives rise to a great deal of heat. A ventilation appliance installed above the cooker may become damaged or catch fire. Never operate two gas burners simultaneously on the highest flame for longer than 15 minutes. One large burner of more than 5 kW (wok) is equivalent to the power of two gas burners.

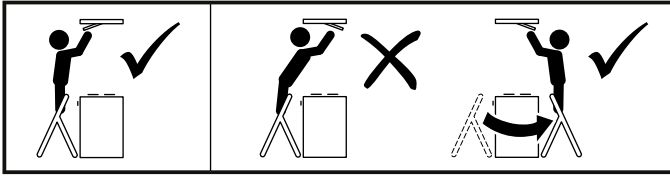
### Warning – Risk of burns!

The accessible parts become very hot when in operation. Never touch hot parts. Keep children at a safe distance.

### Warning – Risk of injury!

- Components inside the appliance may have sharp edges. Wear protective gloves.
- The appliance may fall down if it has not been properly fastened in place. All fastening components must be fixed firmly and securely.
- The appliance is heavy. To move the appliance, 2 people are required. Use only suitable tools and equipment.
- The appliance is very heavy. The appliance must not be fitted directly onto plasterboard or similar lightweight materials. To ensure correct installation, you must use a material which is sufficiently stable and suitable for both the structural conditions and the weight of the appliance.
- Changes to the electrical or mechanical assembly are dangerous and may lead to malfunctions. Do not make any changes to the electrical or mechanical assembly.
- The filter cover may swing out. Always open and close the filter cover slowly. Ensure that the filter cover does not swing out after it is released.
- Risk of trapping body parts when opening and closing the filter cover. Do not reach into the area behind the filter cover and keep your hands away from the hinges.
- Batteries can be easily swallowed by children. Keep batteries out of the reach of children. Do not allow children to change batteries without supervision.
- Batteries may explode. Do not charge or short-circuit the batteries. Do not throw batteries into a fire.
- The connection terminals must not be short circuited.
- Only batteries of the specified type may be used. Different types of batteries or old and new batteries must not be mixed together.
- Rechargeable batteries must not be used.

- Use a stable ladder and make sure it is in a secure position. Do not lean over the hob and do not step on the work surface or the hob.



- Risk of falling when working on the appliance. Use a stable stepladder.
- Before cleaning the appliance, disconnect it from the Home Connect app to ensure that operation via the Home Connect app is not possible.

### **⚠ Warning – Risk of electric shock!**

- A defective appliance may cause electric shock. Never switch on a defective appliance. Unplug the appliance from the mains or switch off the circuit breaker in the fuse box. Contact the after-sales service.
- Incorrect repairs are dangerous. Repairs may only be carried out and damaged power cables replaced by one of our trained after-sales technicians. If the appliance is defective, unplug the appliance from the mains or switch off the circuit breaker in the fuse box. Contact the after-sales service.
- Penetrating moisture may result in an electric shock. Clean the appliance using a damp cloth only. Before cleaning, pull out the mains plug or switch off the circuit breaker in the fuse box.
- Do not use any high-pressure cleaners or steam cleaners, which can result in an electric shock.

## **Causes of damage**

### **Caution!**

Risk of damage due to corrosion. Always switch on the appliance while cooking to avoid condensation. Condensate can produce corrosion damage.

Risk of damage due to ingress of humidity into the electronic circuitry. Never clean operator controls with a wet cloth.

Surface damage due to incorrect cleaning. Clean stainless steel surfaces in the direction of the grain only. Do not use any stainless steel cleaners for operator controls.

Surface damage due to strong or abrasive cleaning agents. Never use strong and abrasive cleaning agents.

Risk of damage as a result of incorrect loading of design elements. Do not pull design elements. Do not place objects on the design elements or hang objects from them.

### **Caution!**

Damage to the remote control caused by leaking batteries. Remove the batteries in the remote control if the remote control is not being used over a longer period of time.

### **Caution!**

Remove batteries that are flat or defective from the remote control and dispose of them safely in accordance with local regulations. Do not dispose of batteries alongside general household waste.

### **Caution!**

There is a risk of surface damage if you do not peel off the protective film. Remove the protective film from all parts of the appliance before using the appliance for the first time.

## Environmental protection

Your new appliance is particularly energy-efficient. Here you can find tips on how to save even more energy when using the appliance, and how to dispose of your appliance properly.

### Saving energy

- Adjust the fan speed to the amount of cooking vapour produced during cooking. Only use intensive mode when required. The lower the fan speed, the less energy is consumed.
- If cooking produces large amounts of vapour, select a higher fan speed in good time. If the cooking vapours have already spread around the kitchen, the appliance will need to be operated for longer.
- Switch the appliance off when you are not using it.
- Switch the lighting off when you are not using it.
- Clean and (if required) replace the filter at regular intervals in order to increase the effectiveness of the ventilation system and to prevent the risk of fire.
- Put the lid on to reduce cooking vapours and condensation.

### Environmentally-friendly disposal

Dispose of packaging in an environmentally-friendly manner.



This appliance is labelled in accordance with European Directive 2012/19/EU concerning used electrical and electronic appliances (waste electrical and electronic equipment - WEEE). The guideline determines the framework for the return and recycling of used appliances as applicable throughout the EU.

### Disposing of batteries

Dispose of used batteries in an environmentally friendly manner.



Batteries must not be disposed of in the household waste after use. Consumers are obliged by law to return all used batteries to a retailer or other collection points. The retailer is obliged to take back used batteries free of charge.

## Operating mode

This appliance is intended for use in circulating-air mode.

### Circulating-air mode



The air which is drawn in is cleaned by the grease filters and an odour filter, and conveyed back into the kitchen.

**Note:** To bind odours in circulating-air mode, you must install an odour filter. The different options for operating the appliance in circulating-air mode can be found in our catalogue. Alternatively, ask your specialist retailer. The required accessories are available from specialist retailers, from our after-sales service or from the online shop.

## Operating the appliance

These instructions apply to several appliance variants. It is possible that individual features are described which do not apply to your appliance.

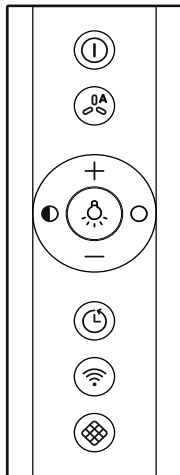
If your appliance has Home Connect, more functions are only available in the Home Connect app.




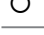

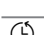



**Note:** Switch on the extractor hood when you start cooking and switch it off again several minutes after you have finished cooking. This is the most effective way of removing the kitchen fumes.

### Remote control

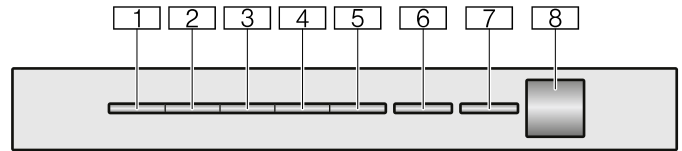
Use the remote control to set and adjust the various different functions of your appliance.

**Note:** Align the remote control as precisely as possible to the infrared receiver for the LED display on the appliance.



Symbol	Explanation
ⓘ	On/Off
	Automatic mode/climateControl sensor
	Light on/off
	Reducing the brightness
	Increasing the brightness
	Increasing the fan setting
	Decreasing the fan setting
	Fan run-on
	Home Connect
	Resetting filter saturation

### LED display



LED	Explanation
1	Fan setting 1
2	Fan setting 2
3	Fan setting 3
4	Intensive mode 1
5	Intensive mode 2
6	Automatic mode / fan run-on time / interval ventilation
7	Home Connect
8	Infrared receiver

### Switching the appliance on and off

#### Switching on

Press the ⓘ button.

The fan starts at fan setting 2. LED 2 on the appliance lights up.

#### Switching off

- Press the ⓘ button.  
The fan run-on is activated, LED 6 on the appliance flashes. The fan automatically switches off after approx. 10 minutes.
- Press the ⓘ button again.  
The appliance is switched off.

### Setting the fan

#### Switching on

- Press the ⓘ button.  
The fan starts at fan setting 2.
- Press the + or - button to set a different fan setting.  
The corresponding LEDs light up on the appliance.

#### Switching off


Press the ⓘ button.

The fan run-on is activated, LED 6 on the appliance flashes. The fan automatically switches off after approx. 10 minutes.

## Intensive setting

You can use the intensive setting if there is a large build-up of odours and fumes/vapours.

### Switching on

1. Press the  button.  
The fan starts at fan setting 2.
2. Press the **+** button twice in order to set intensive mode 1.
3. Press the **+** button again in order to set intensive mode 2.

The corresponding LEDs light up on the appliance.

**Note:** After approx. 6 minutes, the extractor hood automatically switches back to fan setting 3.

## Fan run-on time

### Switching on

Press the  button.

The fan runs at fan setting 1. LED 1 on the appliance lights up, LED 6 flashes.

After approx. 10 minutes, the fan switches off automatically.

### Switching off

Press the  button.

This immediately stops the fan run-on.

## Intermittent ventilation

This function is only available in the Home Connect app.



With interval ventilation, the ventilation system switches on and off in the selected setting for the selected time.

LED 6 flashes continuously, the LED for the selected ventilation setting lights up on the appliance.


As soon as the ventilation duration comes to an end, the LED for the ventilation setting you have selected goes out. LED 6 continues to flash.

## Automatic mode

### Switching on

1. Press the  button.  
The fan starts at fan setting 2. The corresponding LEDs light up.
2. Press the  button.  
LED 6 on the appliance lights up and the optimum fan setting is set automatically via a sensor.

### Switching off

Switch off automatic mode using the  button.

The appliance switches to the fan setting that was previously set.

The fan switches itself off automatically if the sensor detects no further change in the air quality of the room.

Automatic mode can run for a maximum of four hours.

## Sensor control

In automatic mode, a sensor in the appliance detects the intensity of the cooking and roasting fumes.

Depending on the sensor setting, the fan automatically switches itself to another fan setting.



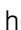

Possible sensor settings:

Default sensitivity setting: LED 3

Lowest sensitivity setting: LED 1

Highest sensitivity setting: LED 5

If the sensor control responds too strongly or not enough, it can be changed accordingly:

1. When the appliance is switched off, press and hold the  and  buttons for approx. 3 seconds.
2. Press the **+** or **-** button to change the sensor control setting.
3. Press and hold the  and  buttons for approx. 3 seconds to save the setting or wait for around 10 seconds until the setting is saved automatically.  
A signal tone will sound.

**Note:** Press the  button to cancel the setting.




## Saturation display


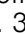
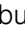

If the grease filter or odour filter is saturated, the corresponding LEDs will flash and a repeated signal tone will sound after the appliance has been switched off:

- **Grease filter:** LED 1 flashes
- **Odour filter:** LED 2 flashes
- **Grease filter and odour filter:** LEDs 1 and 2 flash

The grease filters should now be cleaned or the odour filter needs to be replaced. → *"Cleaning and maintenance" on page 13*

The saturation indicators can be reset while they are flashing. To do this, press the  button.


Settings for using the odour filter

1. When the appliance is switched off, press and hold the  and  buttons for approx. 3 seconds. The LED for the currently active filter setting lights up on the appliance.
2. Press the **+** button/**-** button until LED 2 for circulating-air mode (filter cannot be regenerated) lights up on the appliance.
3. Press the **+** button/**-** button until LED 3 for circulating-air mode (filter can be regenerated) lights up on the appliance.
4. Press the **+** button/**-** button until LED 1 on the appliance for the electronic controller is switched back to operation without the air recirculation filter.
5. Press and hold the  and  buttons for approx. 3 seconds to save the setting or wait for around 10 seconds until the setting is saved automatically. A signal tone will sound.

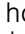
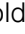
**Note:** Press the  button to cancel the setting.

## Lighting

The lighting can be switched on and off independently of the fan.

Press the  button.

### Setting the brightness



Press and hold the  or  button until the required brightness is reached.

**Note:** Colour temperature settings are available in the Home Connect app provided the appliance has this function.

## Button tone

### Switching on or off

**Note:** Only button tones can be switched on and off. Signal tones on the appliance cannot be switched off.

1. When the appliance is switched off, press and hold the  and **-** buttons for approx. 3 seconds. The LED in the currently selected setting lights up.
2. Press the **+** or **-** button to change the setting. The button tones are switched on if LED 1 lights up on the appliance. The button tones are switched off if LED 2 lights up on the appliance.
3. Press and hold the  and **-** buttons for approx. 3 seconds to save the setting or wait for around 10 seconds until the setting is saved automatically. A signal tone will sound.

**Note:** Press the  button to cancel the setting.

## Connecting to a hob

You can connect this appliance to a hob (if the hob supports connection to the appliance) and then control the functions of the hood via your hob.

There are various options for connecting the appliances together:

### Home Connect

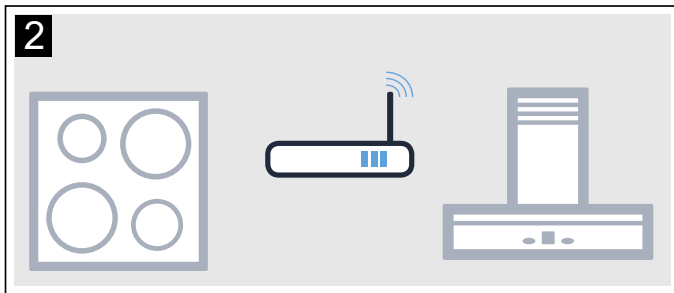
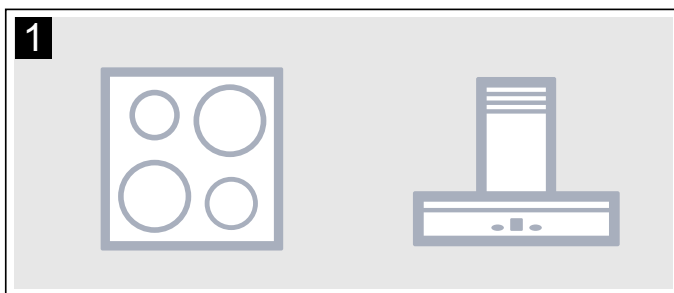
Two appliances can be connected using the Home Connect app provided that both of them are Home Connect-compatible.

Refer to the Home Connect documents supplied for more information.



### Connecting appliances directly

If the appliance is connected directly to a hob, it cannot be connected to your home network as well. The appliance works like an extractor hood that is not connected to the network and you can continue to operate it via the control panel.



### Connecting appliances via your home network

If the appliances are connected to each other via your home network, both the hood controls on the hob and Home Connect can be used to operate the appliance.

#### Notes

- Make sure you follow the safety instructions in the instruction manual for your extractor hood and that these are complied with even when operating the appliance via the hood controls on the hob.
- If the appliance is being operated by means of the controls on the extractor hood, this mode of operation always has priority. It is not possible to use the hood controls on the hob during this time.

### Setting up a connection

The hood must be switched off before you can connect the hob and extractor hood.

#### Connecting directly

Make sure that the hob is switched on and is in search mode.

To do this, refer to the section entitled "Connecting to the extractor hood" in the instruction manual for your hob.

#### Notes

- Before connecting the appliances, reset all existing connections to your home network or other appliances.
- If your extractor hood is connected directly to the hob, it cannot be connected to your home network as well and you will not be able to use Home Connect.

Press and hold the  button until the Home Connect LED starts flashing.

The extractor hood has been connected to the hob when the Home Connect LED stops flashing and remains continuously lit.

#### Connecting via your home network

Follow the instructions in the section entitled "Automatic login to your home network" or "Manually logging into your home network" → "Home Connect" on page 11

Once the extractor hood is connected to your home network, you can connect to the hob via the Home Connect app. To do this, follow the instructions on your mobile device.

## Home Connect

This appliance can be networked and also controlled using a mobile device.

If the appliance is not connected to your home network, it will function as an extractor hood with no network connection and can still be operated via the display.

The availability of the Home Connect function depends on the availability of Home Connect services in your country. Home Connect services are not available in every country. You can find more information on this at [www.home-connect.com](http://www.home-connect.com).

### Notes

- Ensure that you follow the safety instructions in this instruction manual and that you comply with these even when you are away from home and are operating the appliance via the Home Connect app. You must also follow the instructions in the Home Connect app.
- Operating the appliance directly from the appliance always takes priority. It is not possible to operate the appliance using the Home Connect app during this time.

### Setting up

To implement settings via Home Connect, you must have installed and set up the Home Connect app on your mobile device.

Refer to the Home Connect documents supplied for more information.

The app will guide you through the entire registration process. Follow the steps specified by the app to implement the settings.


The app must be open in order to perform the set-up process.


### Notes

- In networked standby mode, your appliance requires a maximum of 2 W.
- If you need your device's MAC address to connect to your home network, you can find this next to the rating plate inside the appliance (you will need to remove the filter to see it).

### Automatic registration in the home network

#### Notes

- You need a router that has WPS functionality.
- You need to be able to access your router. If this is not the case, follow the steps for "Manually logging into your home network".
- The extractor hood cannot be switched on during the connection process. You can cancel the process at any time by pressing the  symbol.
- To connect the extractor hood to your home network, the hood and the light must be switched off.

1. Press and hold the  button until LED 7 on the appliance flashes.
2. Press the **+** button.  
LED 1 and LED 7 will flash.
3. Press the WPS button on the router within the next 2 minutes.

Once the connection has been established, the extractor hood will connect to the Home Connect app automatically. LED 3 and LED 7 will flash.


**Note:** If the extractor hood has been unable to connect, it will automatically allow you to manually connect to your home network. The LED for fan setting 2 and the Home Connect LED will flash. Log the appliance into your home network manually or press the **-** button to try logging in automatically again.


4. On your mobile device, follow the instructions for automatic network login.

The login process is complete when LED 7 on the appliance stops flashing and remains continuously lit.

### Manual registration in the home network

#### Notes

- The extractor hood cannot be switched on during the connection process. You can cancel the process at any time by pressing the  symbol.
- To connect the extractor hood to your home network, the hood and the light must be switched off.

1. Press and hold the  button until LED 7 on the appliance flashes.
2. Press the **+** button twice to start logging into your home network manually.  
LED 2 and LED 7 will flash.
3. Follow the instructions in the app.



Once the connection has been established, the extractor hood will connect to the Home Connect app automatically. LED 3 and LED 7 will flash.


4. On your mobile device, follow the instructions for manually logging into your network.

The login process is complete when LED 7 on the appliance stops flashing and remains continuously lit.

## Connecting to the app

If the Home Connect app is installed on your mobile device, you can connect it to your extractor hood.

### Notes

- The appliance must be connected to the network.
  - The app must be open.
1. Press and hold the  button until LED 3 and LED 7 start flashing.
  2. On your mobile device, follow the instructions in the Home Connect app.
- The connection process is complete when LED 7 on the appliance stops flashing and remains continuously lit.

## Software update

Using the software update function, your extractor hood's software can be updated (e.g. for the purpose of optimisation, troubleshooting or security updates). To do this, you need to be a registered Home Connect user, have installed the app on your mobile device and be connected to the Home Connect server.

As soon as a software update is available, you will be informed through the Home Connect app and will be able to start the software update via the app.

Once the update has been successfully downloaded, you can start installing it via the Home Connect app if you are on your local area network.

The Home Connect app will inform you once installation is complete.

### Notes

- You can continue to use your extractor hood as normal while updates are downloading.
- Depending on your personal settings in the app, software updates can also be set to download automatically.
- We recommend that you install security updates as soon as possible.

## Remote diagnostics

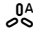
If a fault occurs, the after-sales service can use remote diagnostics to access your appliance.

Contact the after-sales service, making sure that your appliance is connected to the Home Connect server and checking that the remote diagnostics service is available in your country.

**Note:** For more information and to check whether the remote diagnostics service is available in your country, please visit the Help & Support area of the Home Connect website for your country:  
[www.home-connect.com](http://www.home-connect.com)

## Resetting the connection

You can reset the connections you have saved on your home network and on Home Connect at any time.

Press and hold the  and **+** buttons until LED 7 on the appliance goes out. An audible signal will sound.

## About data protection

When your appliance is connected for the first time to a WLAN network, which is connected to the Internet, your appliance transmits the following categories of data to the Home Connect server (initial registration):

- Unique appliance identification (consisting of appliance codes as well as the MAC address of the installed WiFi communication module).
- Security certificate of the WiFi communication module (to ensure a secure IT connection).
- The current software and hardware version of your domestic appliance.
- Status of any previous resetting to factory settings.

This initial registration prepares the Home Connect functions for use and is only required when you want to use these Home Connect functions for the first time.

**Note:** Ensure that the Home Connect functions can be used only in conjunction with the Home Connect app. Information on data protection can be accessed in the Home Connect app.

## Declaration of Conformity

Robert Bosch Hausgeräte GmbH hereby declares that the appliance which features Home Connect is in accordance with the basic requirements and the other relevant provisions of the directive 2014/53/EU.

A detailed RED Declaration of Conformity can be found online at [banyo.co.uk](http://banyo.co.uk) on the product page for appliance in the additional documents.



2.4 GHz band: max. 100 mW

5 GHz band: max. 100 mW

	BE	BG	CZ	DK	DE	EE	IE	EL
	ES	FR	HR	IT	CY	LV	LT	LU
	HU	MT	NL	AT	PL	PT	RO	SI
	SK	FI	SE	UK	NO	CH	TR	

5 GHz Wi-Fi: for indoor use only

## Cleaning and maintenance

### Warning

#### Risk of electric shock!

- Penetrating moisture may result in an electric shock. Clean the appliance using a damp cloth only. Before cleaning, pull out the mains plug or switch off the circuit breaker in the fuse box.
- Do not use any high-pressure cleaners or steam cleaners, which can result in an electric shock.

### Warning

#### Risk of injury!

- The filter cover may swing out. Always open and close the filter cover slowly. Ensure that the filter cover does not swing out after it is released.
- Risk of trapping body parts when opening and closing the filter cover. Do not reach into the area behind the filter cover and keep your hands away from the hinges.
- Before cleaning the appliance, disconnect it from the Home Connect app to ensure that operation via the Home Connect app is not possible.

## Cleaning agents

To ensure that the different surfaces are not damaged by using the wrong cleaning agent, observe the information in the table. Do not use any of the following:

- Harsh or abrasive cleaning agents,
- Cleaning agents with a high alcohol content,
- Hard scouring pads or cleaning sponges,
- High-pressure cleaners or steam cleaners.

Wash new sponge cloths thoroughly before use.

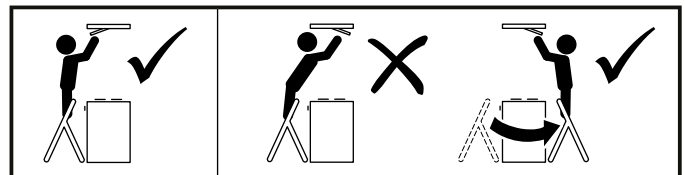
Follow all instructions and warnings included with the cleaning agents.

Area	Cleaning agent
Stainless steel	Hot soapy water: Clean with a dish cloth and then dry with a soft cloth. Clean stainless steel surfaces in the grind direction only. Special stainless steel cleaning products are available from our after-sales service or from specialist retailers. Apply a very thin layer of the cleaning product with a soft cloth.
Painted surfaces	Hot soapy water: Clean using a damp dish cloth and dry with a soft cloth/towel. Do not use any stainless steel cleaners.
Aluminium and plastic	Glass cleaner: Clean with a soft cloth.
Glass	Glass cleaner: Clean with a soft cloth. Do not use a glass scraper.
Controls	Hot soapy water: Clean using a damp dish cloth and dry with a soft cloth/towel. Risk of electric shock caused by penetrating moisture. Risk of damage to the electronics from penetrating moisture. Never clean operating controls with a wet cloth. Do not use any stainless steel cleaners.

## Removing the grease filters

### Warning – Risk of injury!

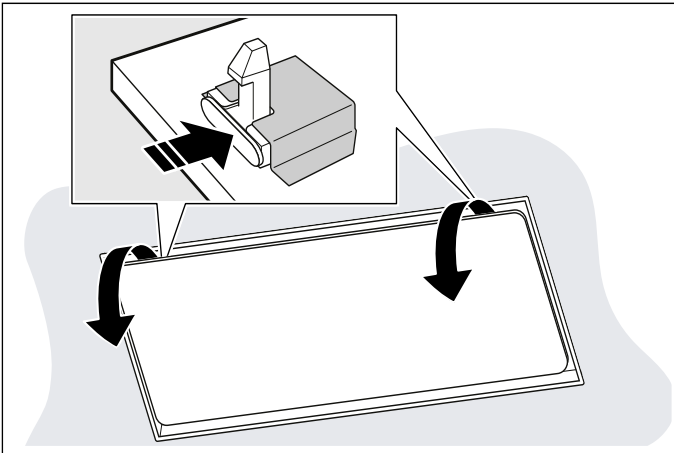
Use a stable ladder and make sure it is in a secure position. Do not lean over the hob and do not step on the work surface or the hob.



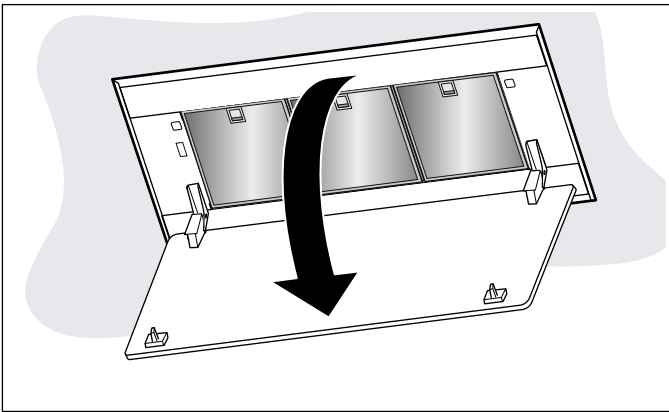
### Warning – Risk of injury!

The filter cover may swing out. Always open and close the filter cover slowly. Ensure that the filter cover does not swing out after it is released.

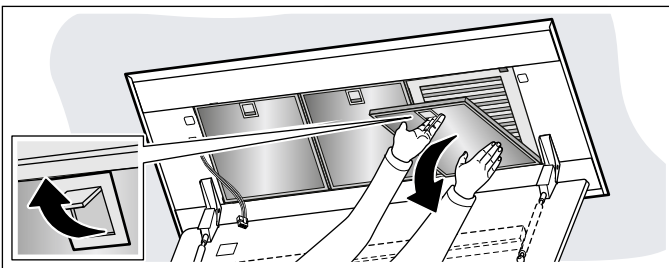
1. Press down on the locks on the filter cover.  
**Note:** The filter cover is heavy. Take the filter cover by two hands and hold in place.



2. Open the filter cover fully and without pulling on it.



3. Open the locking mechanism on the grease filter.  
**Note:** Do not bend the grease filter to avoid causing damage.



4. Remove the grease filter from the holder.  
**Notes**
  - Fat may accumulate in the bottom of the grease filter.
  - Hold the filter level to prevent fat from dripping out.
5. Clean the accessible parts of the housing. Clean the inside of the appliance.
6. Clean the grease filter and let it dry before refitting.

## Cleaning the grease filters

### **⚠ Warning – Risk of fire!**

Fatty deposits in the grease filter may catch fire. Regularly clean the grease filter. Never operate the appliance without a grease filter.

#### **Notes**

- Do not use any aggressive, acidic or alkaline cleaning products.
- We recommend that you to clean the grease filters every two months.
- When cleaning the grease filters, also clean the grease filter holder in the appliance using a damp cloth.
- The grease filters can be cleaned in the dishwasher or by hand. We recommend cleaning by hand.

#### **By hand:**

**Note:** You can use a special degreaser to remove stubborn dirt. It can be ordered via the online shop.

- Soak the grease filters in hot detergent solution.
- Clean the filters with a brush and then rinse them thoroughly.
- Allow the grease filters to drain.

#### **In the dishwasher:**

**Note:** Slight discolouration may occur if cleaning in the dishwasher. This discolouration has no effect on the performance of the grease filters.

- Use normal domestic dishwashing detergents.
- Do not clean heavily soiled grease filters together with tableware.
- Place the grease filters in the dishwasher leaving plenty of space around them. Do not wedge the grease filters in.
- Select a temperature of no more than 70 °C.



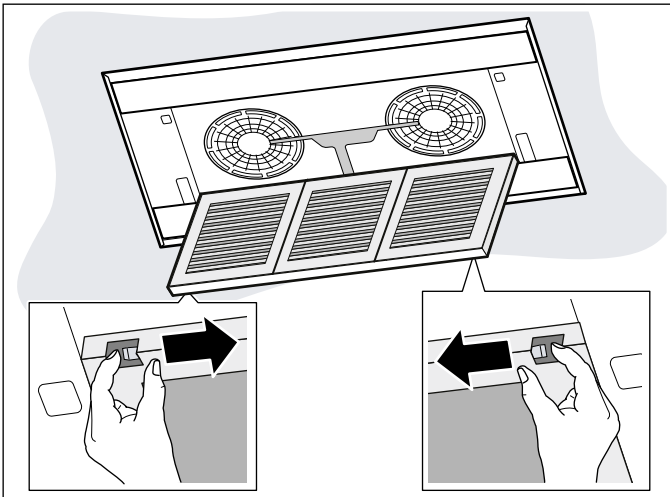
## Fitting the grease filters

1. Fit the grease filters.  
To do this, take hold of the grease filter from underneath with your other hand.
2. Fold the grease filter upwards and engage the locks.
3. Close the filter cover upwards.  
**Note:** Ensure that the filter cover locks engage correctly.

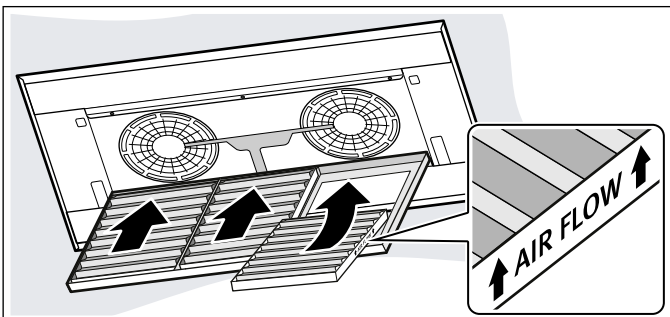
## Replacing the odour filter

**Note:** To bind odours in circulating-air mode, you must install an odour filter. The different options for operating the appliance in circulating-air mode can be found in our catalogue. Alternatively, ask your specialist retailer. The required accessories are available from specialist retailers, from our after-sales service or from the online shop.

1. Remove the grease filters.
2. Open the odour filter cartridge.



3. Remove the old odour filter.
4. Take the new odour filter out of its packaging and insert into the odour filter cartridge.  
**Note:** Note the correct installation direction for the odour filter.



5. Fit the grease filters.

## Replacing the batteries in the remote control

### ⚠ Warning

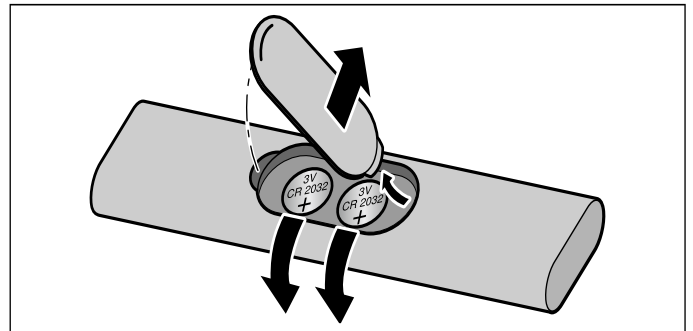
#### Risk of injury!

- Batteries can be easily swallowed by children. Keep batteries out of the reach of children. Do not allow children to change batteries without supervision.
- Batteries may explode. Do not charge or short-circuit the batteries. Do not throw batteries into a fire.
- The connection terminals must not be short circuited.
- Only batteries of the specified type may be used. Different types of batteries or old and new batteries must not be mixed together.
- Rechargeable batteries must not be used.

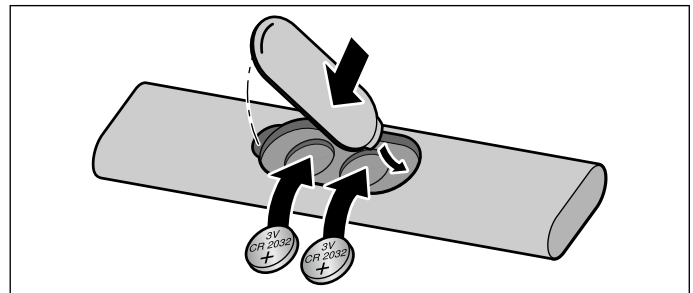
#### Caution!

Damage to the remote control caused by leaking batteries. Remove the batteries in the remote control if the remote control is not being used over a longer period of time.

1. Remove the cover.
2. Remove the batteries.



3. Correctly insert the new batteries (3 V CR 2032).



#### Caution!

Remove batteries that are flat or defective from the remote control and dispose of them safely in accordance with local regulations. Do not dispose of batteries alongside general household waste.

## **Trouble shooting**

Malfunctions often have simple explanations. Please read the following notes before calling the after-sales service.



### **Warning – Risk of electric shock!**

Incorrect repairs are dangerous. Repairs may only be carried out and damaged power cables replaced by one of our trained after-sales technicians. If the appliance is defective, unplug the appliance from the mains or switch off the circuit breaker in the fuse box. Contact the after-sales service.

### **LED lights**

Defective LED lights must only be replaced by the manufacturer, their customer service department or a licensed technician (electrician).

## **Malfunction table**


<b>Fault</b>	<b>Possible cause</b>	<b>Solution</b>
The appliance does not work	The plug is not plugged into the mains	Connect the appliance to the power supply
	Power cut	Check whether other kitchen appliances are working
	The fuse is faulty	Check in the fuse box to make sure that the fuse for the appliance is in working order
The lighting is not working	The LED lights are defective	Call the after-sales service
The remote control is not working	The battery is flat	Change the batteries in the remote control, see section → <i>"Replacing the batteries in the remote control" on page 15</i>
After the appliance has been switched off, the LEDs 1-5 flash three times.	The battery is nearly flat	Change the batteries in the remote control, see section → <i>"Replacing the batteries in the remote control" on page 15</i>
LED 1 or LED 2 flashes in the display	The grease filter or the odour filter is saturated.	Clean the grease filter or change the odour filter. → <i>"Cleaning and maintenance" on page 13</i>
Once the appliance has been connected to the power supply, the lighting switches on automatically	Demo mode is switched on	To switch off demo mode: Press and hold the  and  buttons for approx. 3 seconds

## **Customer service**

When calling us, please give the product number (E no.) and the production number (FD no.) so that we can provide you with the correct advice. The rating plate with these numbers can be found inside the appliance (remove the metal mesh grease filter to gain access).



You can make a note of the numbers of your appliance and the telephone number of the after-sales service in the space below to save time should it be required.

<b>E no.</b>	<b>FD no.</b>
<b>After-sales service</b> 	

Please be aware that a visit by an after-sales engineer will be charged if a problem turns out to be the result of operator error, even during the warranty period.

Please find the contact data of all countries in the enclosed customer service list.

### **To book an engineer visit and product advice**

- GB** 0344 892 8979  
Calls charged at local or mobile rate.
- IE** 01450 2655  
0.03 € per minute at peak.  
Off peak 0.0088 € per minute.

Rely on the professionalism of the manufacturer. You can therefore be sure that the repair is carried out by trained service technicians who carry original spare parts for your appliances.

## **Accessories**

(not included in the scope of delivery)

**Note:** These instructions apply to several appliance models. It may be the case that an optional accessory that is listed does not apply for your appliance.

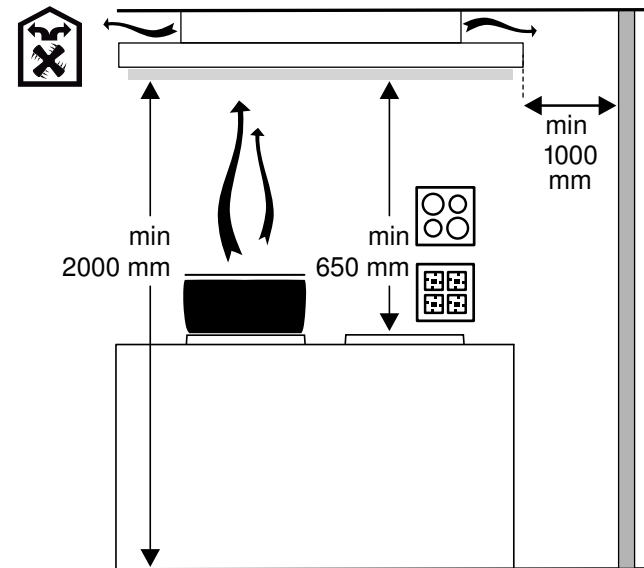
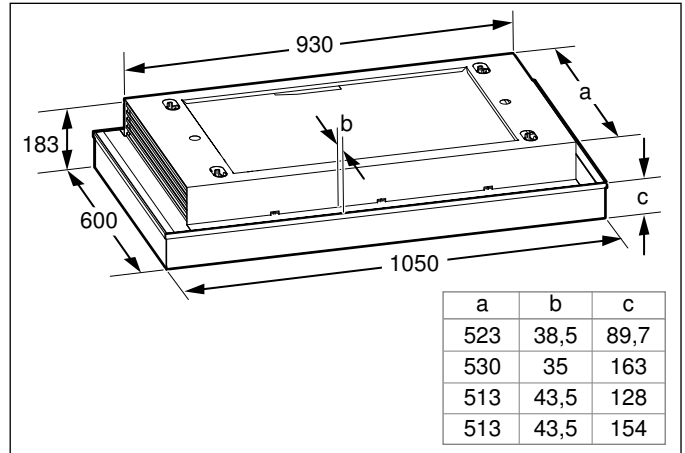
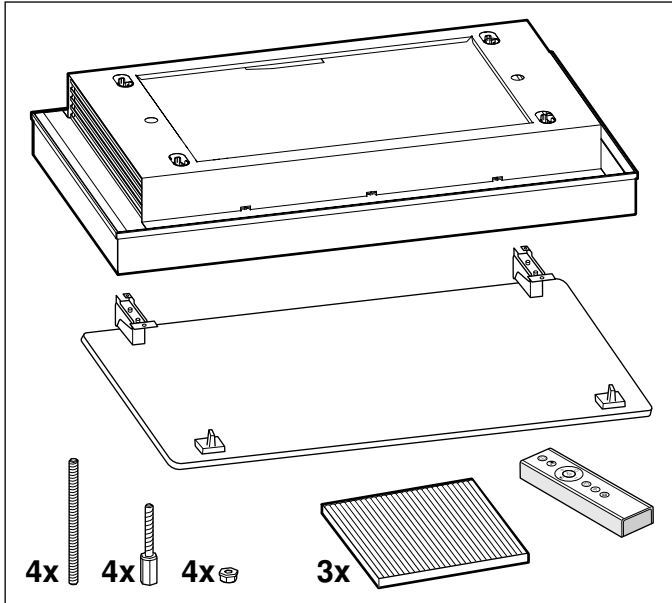
**Note:** Observe the installation instructions in the accessory.

<b>Accessories</b>	<b>Order number</b>
Odour filter (can be regenerated)	DIZOJX0P0
Odour filter (cannot be regenerated)	DIZ1JX1B6



# INSTALLATION INSTRUCTIONS

- This appliance is fitted to the kitchen ceiling or a sturdy suspended ceiling.
- The surfaces of the appliance are sensitive. Avoid damaging them during installation.



## Important safety information

Read these instructions carefully. Only then will you be able to operate your appliance safely and correctly. Retain the instruction manual and installation instructions for future use or for subsequent owners.

Check the appliance for damage after unpacking it. Do not connect the appliance if it has been damaged in transport.

The appliance can only be used safely if it is correctly installed according to the safety instructions. The installer is responsible for ensuring that the appliance works perfectly at its installation location.

Only a licensed professional may connect appliances without plugs. Damage caused by incorrect connection is not covered under warranty.

The surfaces of the appliance are easily damaged. Avoid damaging them during installation.

For the installation, observe the currently valid building regulations and the regulations of the local electricity and gas suppliers.

### Warning – Risk of fire!

- Fatty deposits in the grease filter may catch fire. The specified safety clearances must be complied with in order to prevent a build-up of heat. Refer to the information provided for your cooker. If gas and electric hobs are being operated together, the largest specified clearance applies.
- Grease deposits in the grease filter may catch fire. Never work with naked flames close to the appliance (e.g. flambéing). Do not install the appliance near a heat-producing appliance for solid fuel (e.g. wood or coal) unless a closed, non-removable cover is available. There must be no flying sparks.

### Warning – Risk of injury!

- Components inside the appliance may have sharp edges. Wear protective gloves.
- The appliance may fall down if it has not been properly fastened in place. All fastening components must be fixed firmly and securely.
- The appliance is heavy. To move the appliance, 2 people are required. Use only suitable tools and equipment.
- The appliance is very heavy. The appliance must not be fitted directly onto plasterboard or similar lightweight materials. To ensure correct installation, you must use a material which is sufficiently stable and suitable for both the structural conditions and the weight of the appliance.
- Changes to the electrical or mechanical assembly are dangerous and may lead to malfunctions. Do not make any changes to the electrical or mechanical assembly.
- Risk of falling when working on the appliance. Use a stable stepladder.
- Risk of trapping body parts when opening and closing the hinges. Keep your hands away from the hinges.
- The filter cover may swing out. Always open and close the filter cover slowly. Ensure that the filter cover does not swing out after it is released.

**⚠ Warning – Risk of electric shock!**

- Components inside the appliance may have sharp edges. These may damage the connecting cable. Do not kink or pinch the connecting cable during installation.
- It must always be possible to disconnect the appliance from the electricity supply. The appliance must only be connected to a protective contact socket that has been correctly installed.  
The mains plug of the mains power cable must be easily accessible after installation of the appliance. If this is not possible, an all-pole isolating switch must be integrated into the permanent electrical installation according to the conditions of overvoltage category III and according to the installation regulations.  
The permanent electrical installation must only be wired by a professional electrician. We recommend installing a residual-current circuit breaker (RCCB) in the appliance's power supply circuit.
- Incorrect repairs are dangerous. Repairs may only be carried out and damaged power cables replaced by one of our trained after-sales technicians. If the appliance is defective, unplug the appliance from the mains or switch off the circuit breaker in the fuse box. Contact the after-sales service.

**⚠ Warning – Danger of suffocation!**

Packaging material is dangerous to children. Never allow children to play with packaging material.

**General information**

The surfaces of the appliance are easily damaged. Avoid damaging them during installation.

**Electrical connection****⚠ Warning – Risk of electric shock!**

It must always be possible to disconnect the appliance from the power supply. If there is a fixed connection, an all-pole isolating switch with a contact gap of at least 3 mm must be provided for the wiring. Only an electrician may install the fixed connection. We recommend installing a residual-current circuit breaker (RCCB) in the appliance's power supply circuit.

**⚠ Warning – Risk of electric shock!**

Components inside the appliance may have sharp edges. These may damage the connecting cable. Do not kink or pinch the connecting cable during installation.

The required connection data can be found on the rating plate inside the appliance; remove the odour filter to access this.

This appliance complies with the EC interference suppression regulations.

The appliance must be disconnected from the power supply whenever installation work is being carried out.

When the appliance is installed, protection must be provided against accidental contact in the future.

## Installation

### Preparing for installation

- The cooking vapours are more difficult to draw in the further away they are from the hob. We recommend a distance of at least 700 mm and a maximum of 1500 mm.
- So that cooking vapours are optimally drawn in, install the extractor hood in the middle of the hob.
- The installation site must be easily accessible, so that the appliance can be accessed freely for servicing.

### Checking the ceiling

- The ceiling must be flat, horizontal and adequately load-bearing.
- The depth of the bore holes must be the same length as the screws.
- The enclosed screws are suitable only for concrete ceilings.
- The max. weight of the appliance is **40 kg**.

#### Notes

- When fixing the appliance in place, a suitable substructure is required that is securely fastened to the concrete ceiling.
- Do not fit the appliance directly onto plasterboard (or similar lightweight materials) in a suspended ceiling.
- To ensure correct installation, you must use a material which is sufficiently stable and suitable for both the structural conditions and the weight of the appliance.

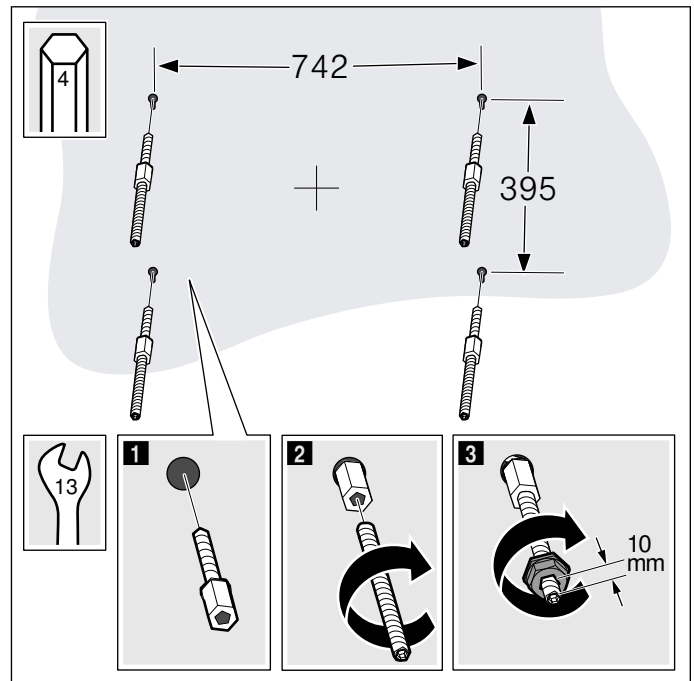
### Preparing the ceiling

1. Cover the hob to protect it from damage.
2. Determine the position of the frame. In doing so, determine where the middle should be based on the hob.
3. Measure and mark the positions of the fastening screws.
4. Drill four holes with a diameter of 6 mm for the fixing.

#### Caution!

Ensure that there are no electrical wires, gas pipes or water pipes in the area where holes are to be drilled.

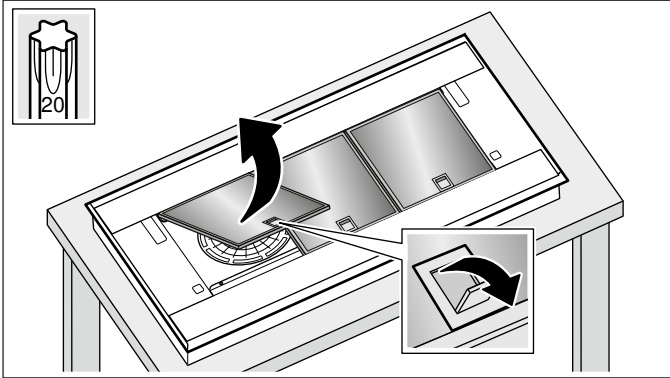
5. Screw the fastening screws into the ceiling.
6. Screw in the threaded rods.
7. Screw the nuts approx. 1 cm onto the threaded rods.



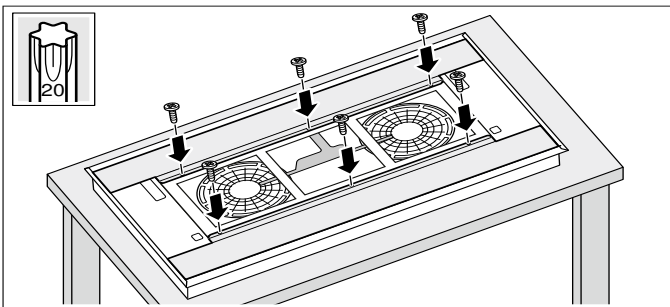
## Preparing the appliance

1. Remove the grease filters.

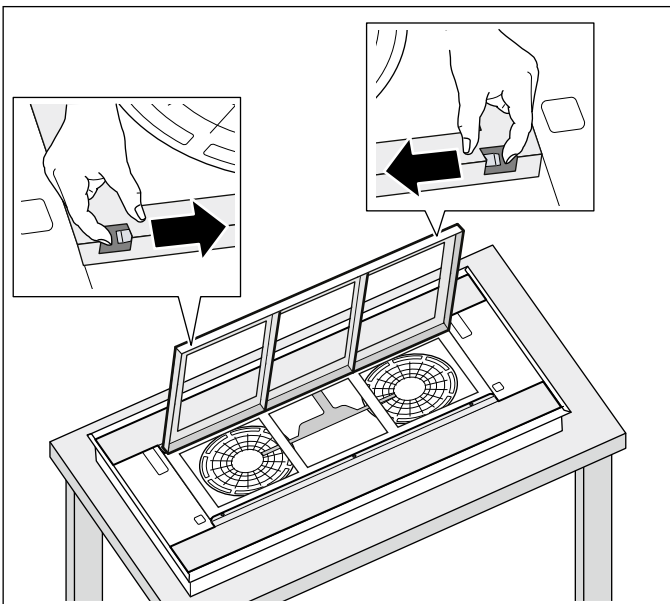
**Note:** Do not bend the grease filter to avoid causing damage.



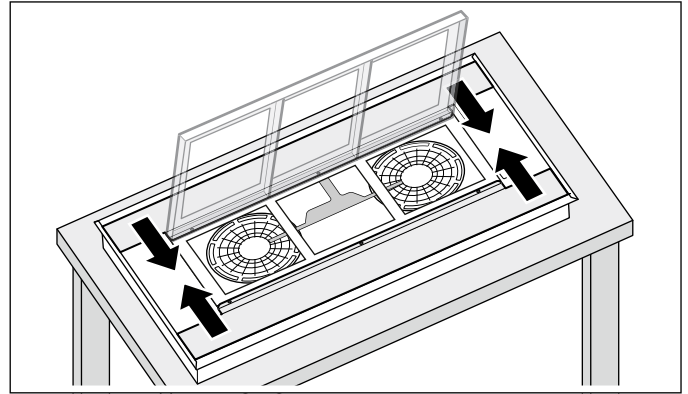
2. Loosen the screws on the side covers.



3. Open the odour filter cartridge.



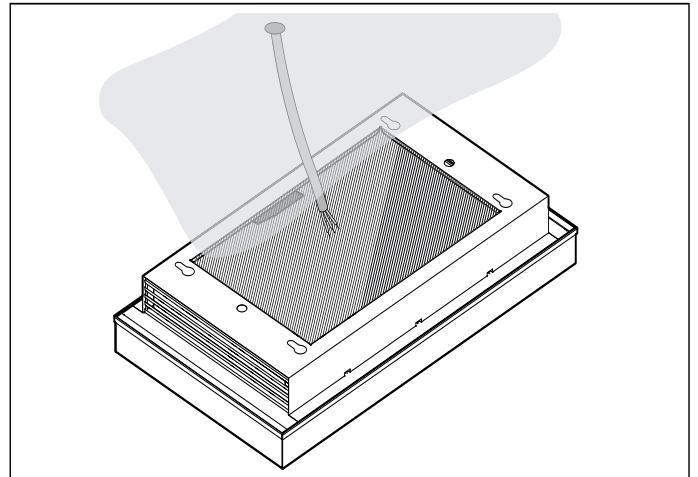
4. Push the side covers inwards and remove them.



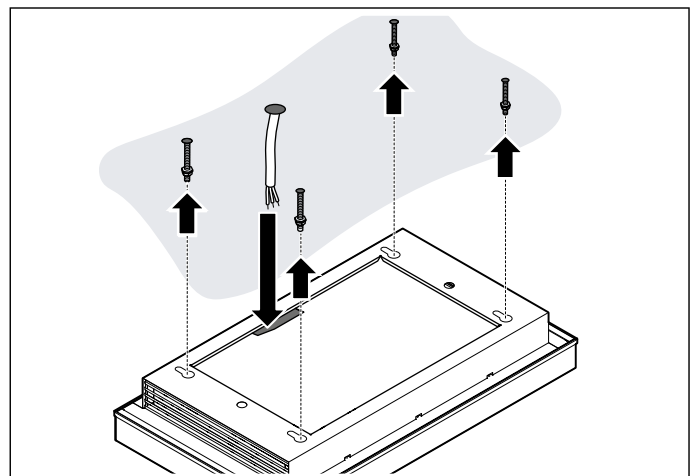
5. Close the odour filter cartridge.

## Attach the appliance

1. Lift the appliance by the corners and turn it over.
2. Position the on-site cable in the marked area on the appliance.

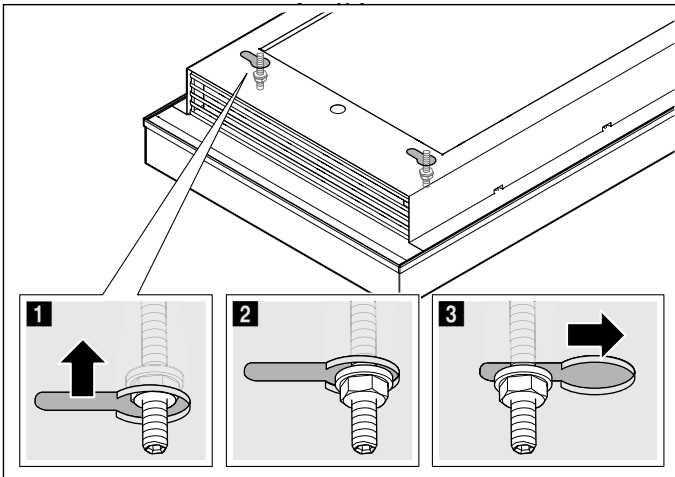


3. Guide the on-site cable through the opening and hook the appliance onto the fastening screws on the ceiling.

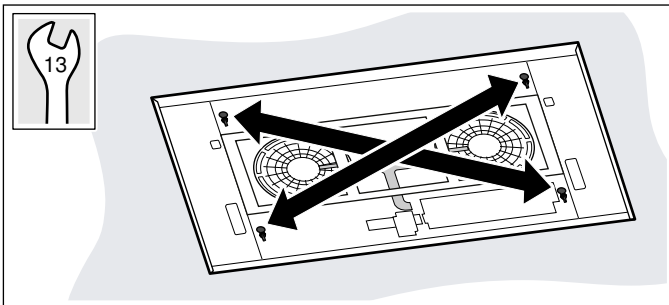


4. Push the appliance as far as it will go into the four key hole openings using the guide sleeves.

5. Move the appliance and lower it further so that the collar nuts are positioned on the edge of the guide sleeves.



6. Carefully tighten diagonally opposite nuts until the appliance is flush-mounted on the ceiling.  
**Note:** Tighten the nuts one at a time so that the appliance is not wedged in the cut-out.



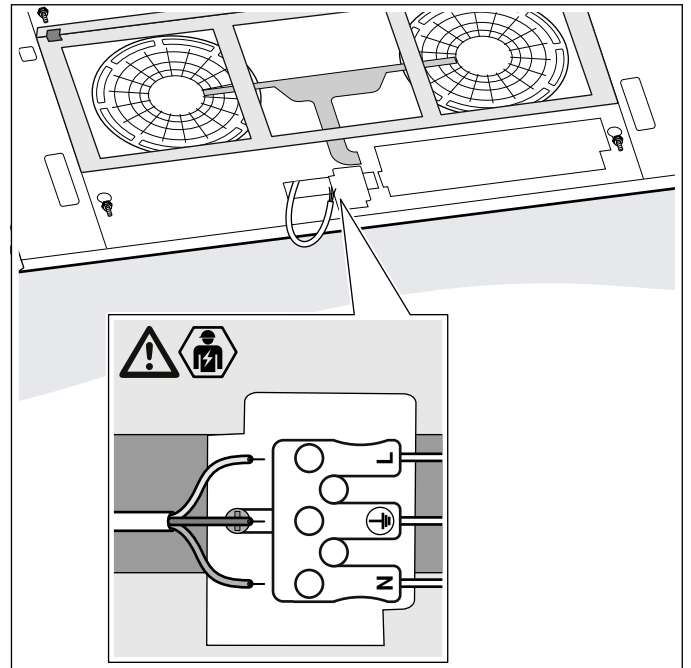
**Note:** To find out the correct fuse rating, see the total connected load (in watts) on the appliance's rating plate.

1. Guide the on-site cable carefully through the opening in the appliance.

**Notes**

- The bending radius of the on-site cable for connecting the appliance must be complied with.
- The cable must remain doubly insulated. Strip it as little as possible in front of the connecting terminal.

2. Plug the on-site cable into the connecting terminal.



**Connecting the appliance**

Ensure that there is sufficient fuse protection for the household wiring. The voltage and frequency of the appliance must match the electrical wiring (see rating plate).

The appliance corresponds to protection class 1 and must only be operated with a protective earth connection.

The appliance must be disconnected from the power supply whenever installation work is being carried out.

When the appliance is installed, protection against contact must be provided.

Only a licensed professional may connect the appliance. They are subject to the requirements of the local electricity provider.

**⚠ Warning – Risk of electric shock!**

It must always be possible to disconnect the appliance from the power supply. If there is a fixed connection, an all-pole isolating switch with a contact gap of at least 3 mm must be provided for the wiring. Only an electrician may install the fixed connection. We recommend installing a residual-current circuit breaker (RCCB) in the appliance's power supply circuit.

## Installing the appliance

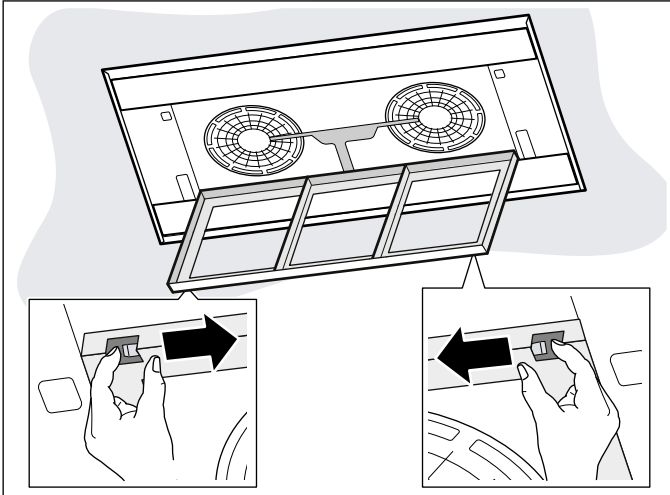
### **⚠ Warning – Risk of injury!**

Components inside the appliance may have sharp edges. Wear protective gloves.

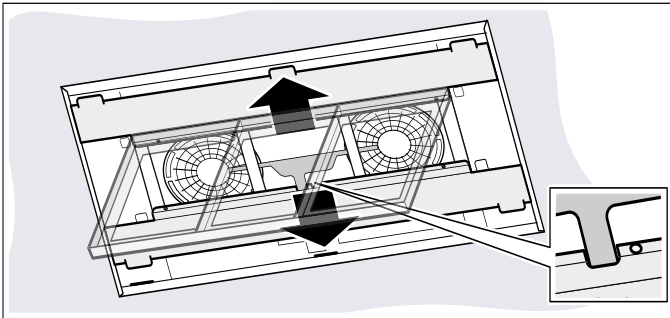
### **⚠ Warning – Risk of injury!**

Risk of trapping body parts when opening and closing the hinges. Keep your hands away from the hinges.

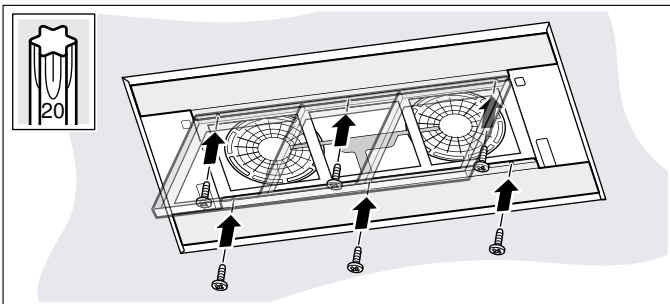
1. Open the odour filter cartridge.



2. Insert the side covers.

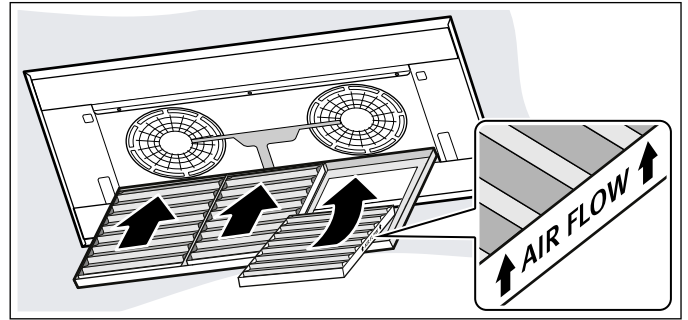


3. Push the side covers slightly in the direction of the appliance frame and screw firmly in place.



4. Take the odour filter out of its packaging and insert into the odour filter cartridge.

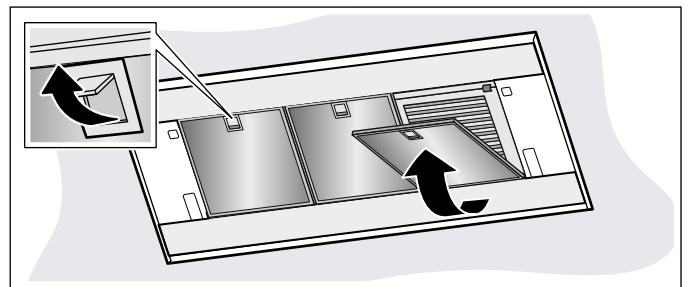
**Note:** Note the correct installation direction for the odour filter.



5. Close the odour filter cartridge.

6. Fit the grease filters.

**Note:** Do not bend the grease filter to avoid causing damage.





## Fitting the filter cover

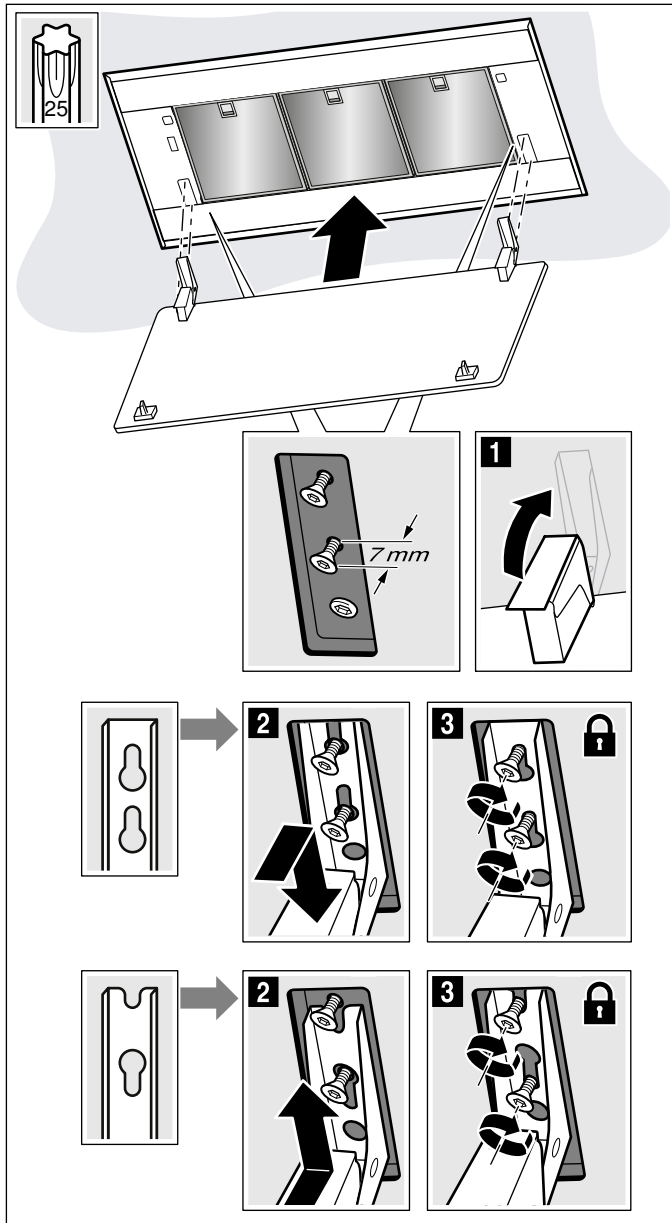
### **⚠ Warning – Risk of injury!**

Components inside the appliance may have sharp edges. Wear protective gloves.

### **⚠ Warning – Risk of injury!**

Risk of trapping body parts when opening and closing the hinges. Keep your hands away from the hinges.

1. Open the hinges on the filter cover.
2. Mount the filter cover on the designated screws and push it backwards/forwards depending on the key hole opening into the narrow section.
3. Tighten the fastening screws of the hinges.



4. Swing the filter cover up and ensure that it engages.
5. Connect a power supply.

## Removing the appliance

### **⚠ Warning – Risk of injury!**

Components inside the appliance may have sharp edges. Wear protective gloves.

### **⚠ Warning – Risk of injury!**

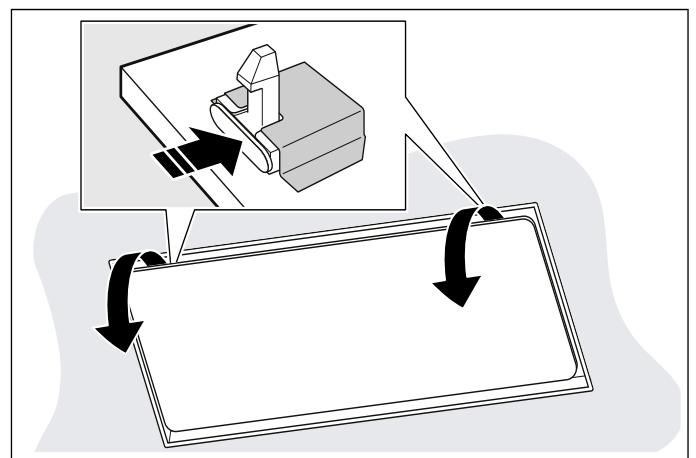
Risk of trapping body parts when opening and closing the hinges. Keep your hands away from the hinges.

### **⚠ Warning – Risk of injury!**

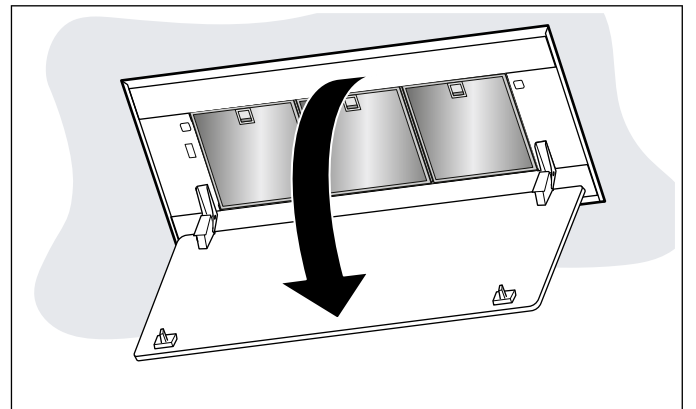
The appliance is heavy. To move the appliance, 2 people are required. Use only suitable tools and equipment.

1. Disconnect the appliance from the power supply.
2. Press down on the locks on the filter cover.

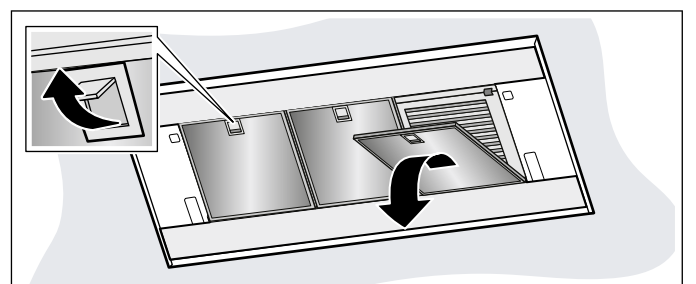
**Note:** The filter cover is heavy. Take the filter cover by two hands and hold in place.



3. Open the filter cover fully and without pulling on it.

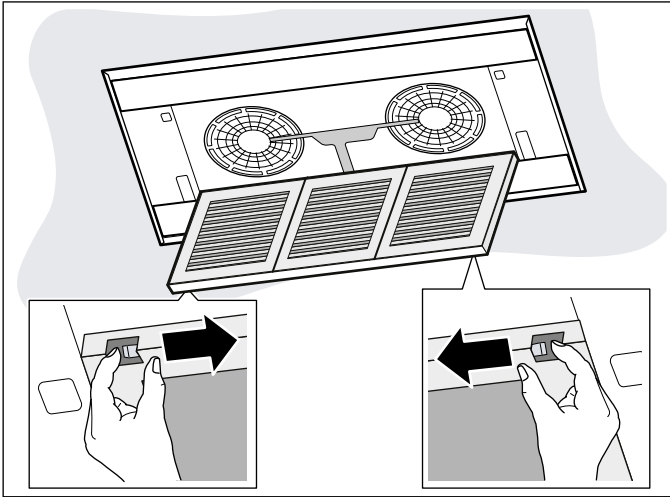


4. Undo the screws on the hinges up to approx. 7 mm.  
**Note:** Do not loosen them fully.
5. Unhook and remove the filter cover.
6. Remove the grease filters.



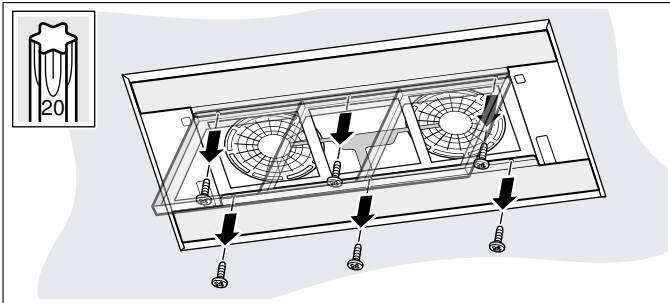


7. Open the odour filter cartridge.

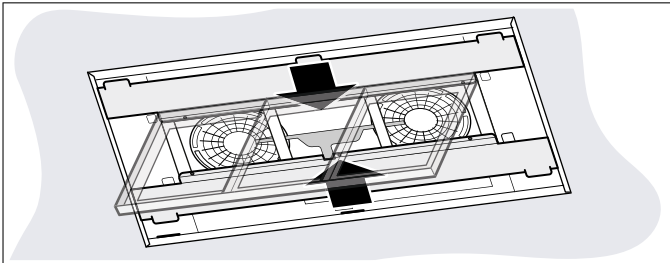


8. Remove the odour filter.

9. Loosen the screws on the side covers.

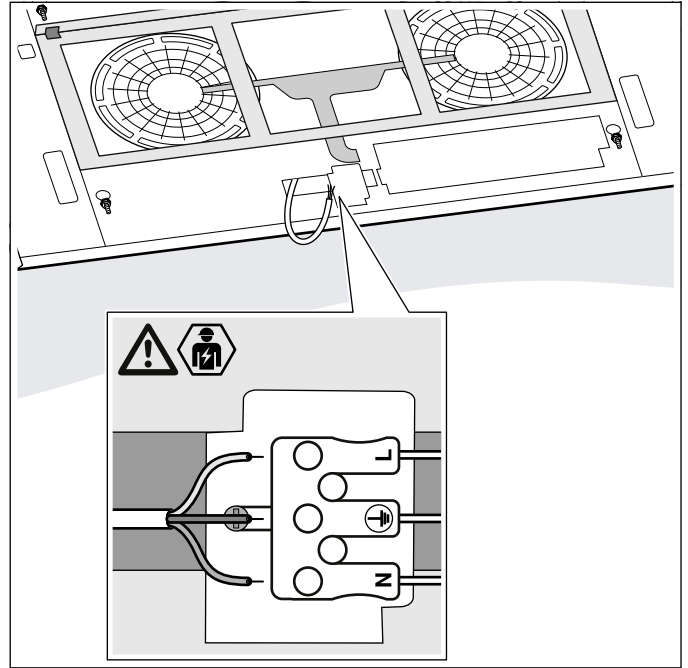


10. Remove the side covers.

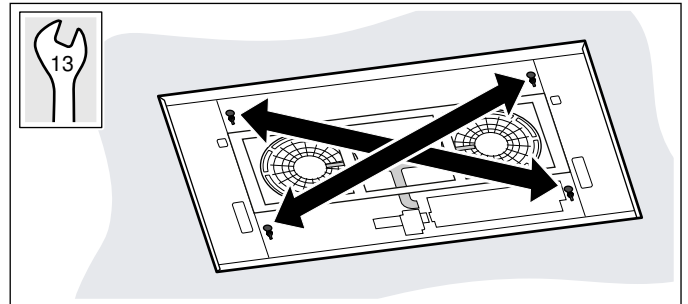


11. Close the odour filter cartridge.

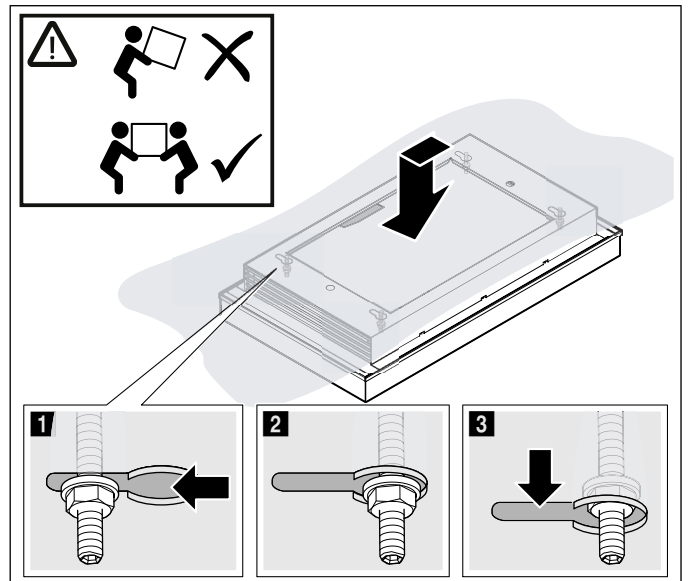
12. Detach the on-site cable from the connecting terminal.



13. Carefully loosen the diagonally opposite screws.



14. Disconnect the appliance from the key hole opening.



15. Release the appliance slowly.







## Thank you for buying a Bosch Home Appliance!

Register your new device on MyBosch now and profit directly from:

- **Expert tips & tricks for your appliance**
- **Warranty extension options**
- **Discounts for accessories & spare-parts**
- **Digital manual and all appliance data at hand**
- **Easy access to Bosch Home Appliances Service**

Free and easy registration – also on mobile phones:

**[www.bosch-home.com/welcome](http://www.bosch-home.com/welcome)**



## Looking for help? You 'll find it here.

Expert advice for your Bosch home appliances, need help with problems or a repair from Bosch experts.

Find out everything about the many ways Bosch can support you:

**[www.bosch-home.com/service](http://www.bosch-home.com/service)**

**Contact data of all countries are listed in the attached service directory.**

**Robert Bosch Hausgeräte GmbH**

Carl-Wery-Straße 34

81739 München

Germany

**[www.bosch-home.com](http://www.bosch-home.com)**



9001441643

990501